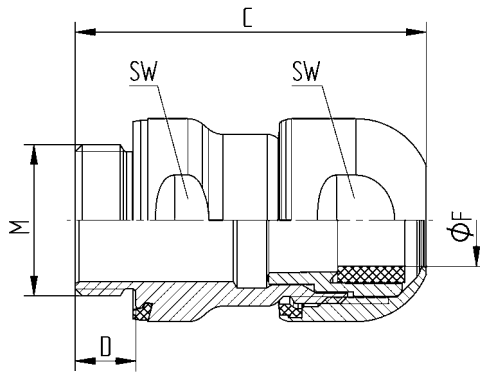


SKINTOP® HYGIENIC / SKINTOP® HYGIENIC-R



INFO

- New: Available up to size M40x1,5
- Ideal for hygienic critical areas - resistant, edge-free, robust and reliable
- No gaps, voids or outer lying thread - so no risk of contamination of food machines, facilities or components

Benefits

- Hygienic Design for ideal cleaning results
- Smooth surfaces and no edges prevent the accumulation of fluids and formation of micro-organisms

Application range

- Food machinery, equipment and components
- For use in **product zone**
- Pharmaceutical industry

Norm references / Approvals

- EHEDG (TYPE EL Class I AUX) Hygienic design for machinery and components
- ECOLAB® Industry standard in the field of professional cleaning and disinfection in the food and beverage industry
- FDA 21 CFR 177.2600 Special sealing element for food and beverage industry in North America
- DIN EN 1672-2 Guideline for the design of machinery

- DIN EN ISO 14159 Security of machinery Hygienic requirements for the design of machinery
- NSF/ANSI 169 Hygienic design for machinery and components

Product Make-up

- Material and shape provide an easy and safe cleaning
- By the blue coloring of the sealing material clearly distinguishable from foodstuffs
- One complete assembly is easily mounted from the outside
- Metric connection thread acc. to DIN EN 60423
- Basis for technical information DIN IEC 62444

Note

- Installation wrench for very high packing density on request

Technical data

	Classification ETIM 5/6 ETIM 5.0/6.0 Class-ID: EC000441 ETIM 5.0/6.0 Class-Description: Cable screw gland
	Certifications UL approval for M32x1,5 and M40x1,5 pending
	Material Body: stainless steel - V4A (1.4404 / 316L) Insert: polyamide Sealing: special elastomer
	Protection rating IP 68 - 10 bar IP 69 NEMA Type 1, 2, 4x, 6, 12
	Temperature range -20°C to +100°C

Article number	Article designation / size	Ø F mm	SW wrench size mm	Overall length C mm	Thread length D mm	Pieces / PU
SKINTOP® HYGIENIC						
SKIN-HYG-M12_MPX	M 12 x 1,5	4-6	16	38.4	6.5	5
SKIN-HYG-M16_MPX	M 16 x 1,5	6,5-9	20	41.4	7	5
SKIN-HYG-M20_MPX	M 20 x 1,5	9-12	24	46.4	8	5
SKIN-HYG-M25_MPX	M 25 x 1,5	11,5-15,5	29	48.9	8	5
SKIN-HYG-M32_MPX	M 32 x 1,5	16-20	36	56.0	9	5
SKIN-HYG-M40_MPX	M 40 x 1,5	22-27	45	62.0	9	5
SKINTOP® HYGIENIC-R						
SKIN-HYG-R-M12_MPX	M 12 x 1,5	3-4,5	16	38.4	6.5	5
SKIN-HYG-R-M16_MPX	M 16 x 1,5	4,5-7	20	41.4	7	5
SKIN-HYG-R-M20_MPX	M 20 x 1,5	7-10	24	46.4	8	5
SKIN-HYG-R-M25_MPX	M 25 x 1,5	9-12,5	29	48.9	8	5
SKIN-HYG-R-M32_MPX	M 32 x 1,5	12,5-16,5	36	56.0	9	5
SKIN-HYG-R-M40_MPX	M 40 x 1,5	18-23	45	62.0	9	5

Other sizes are available upon request.

Photographs and graphics are not to scale and do not represent detailed images of the respective products.