

DES-PDM 24

Cable entry plates with internal frame

- ▶ For high number of non-terminated cables
- ▶ High retaining force thanks to the double membrane
- ▶ Cost efficient solution
- ▶ High IP grade (IP65-66)

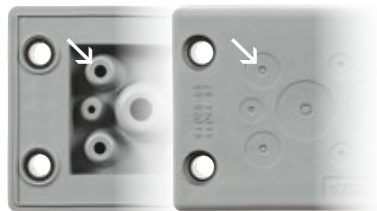


Model / Code	Cable nr. - Ø cables [mm]	Dimensions [mm]		Pcs / pack			
		Cut-out	Plate				
DES-PDM24-14G_MPX	10 - 2.8 / 6.5 4 - 14.5 / 22	112 x 36	148.6 x 59.6	10			
DES-PDM24-15G_MPX	15 - 6.8 / 12						
DES-PDM24-16G_MPX	8 - 2.8 / 6.5 4 - 4.4 / 9.7 2 - 8.6 / 16.2 2 - 14.5 / 22						
DES-PDM24-17G_MPX	6 - 2.8 / 6.5 6 - 4.6 / 10.2 5 - 8.6 / 16.2						
DES-PDM24-25G_MPX	12 - 2.8 / 6.5 7 - 4.4 / 9.7 6 - 6.8 / 12						
DES-PDM24-32G_MPX	21 - 2.8 / 6.5 8 - 4.6 / 10.2 3 - 6.8 / 12						
DES-PDM24-42G_MPX	42 - 2.8 / 6.5						
KIT_DES4	Set of 4 mounting screws in AISI304						10

The DES-PDM 24 is an innovative alternative to standard cable glands on electrical, electronic and telecommunication cabinets and equipment.

The cable is pushed through the front membrane, whilst the second membrane increases the strain relief and liquid resistance

Double membrane



Technical data

Material: TPE

Flammability: self-extinguishing acc. to UL94-V0

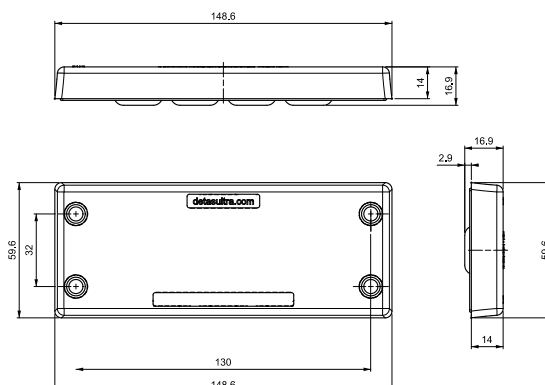
Temperature: -40°C... +105°C (static)

Features: halogens and silicones free

Related products

Hydraulic punch driver HY360

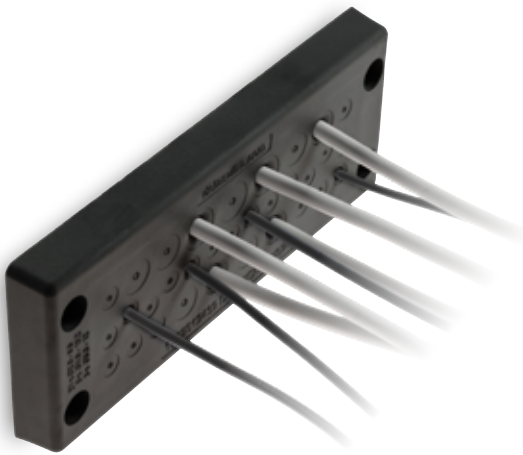
Dimensions [mm]



DES-PDM 24

Cable entry plates with internal frame

- ▶ For high number of non-terminated cables
- ▶ High retaining force thanks to the double membrane
- ▶ Cost efficient solution
- ▶ High IP grade (IP65-66)

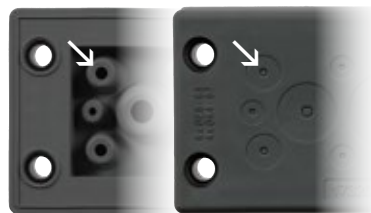


Model / Code	Cable nr. - Ø cables [mm]	Dimensions [mm]		Pcs / pack			
		Cut-out	Plate				
DES-PDM24-14B_MPX	10 - 2.8 / 6.5 4 - 14.5 / 22	112 x 36	148.6 x 59.6	10			
DES-PDM24-15B_MPX	15 - 6.8 / 12						
DES-PDM24-16B_MPX	8 - 2.8 / 6.5 4 - 4.4 / 9.7 2 - 8.6 / 16.2 2 - 14.5 / 22						
DES-PDM24-17B_MPX	6 - 2.8 / 6.5 6 - 4.6 / 10.2 5 - 8.6 / 16.2						
DES-PDM24-25B_MPX	12 - 2.8 / 6.5 7 - 4.4 / 9.7 6 - 6.8 / 12						
DES-PDM24-32B_MPX	21 - 2.8 / 6.5 8 - 4.6 / 10.2 3 - 6.8 / 12						
DES-PDM24-42B_MPX	42 - 2.8 / 6.5						
KIT_DES4	Set of 4 mounting screws in AISI304						10

The DES-PDM 24 is an innovative alternative to standard cable glands on electrical, electronic and telecommunication cabinets and equipment.

The cable is pushed through the front membrane, whilst the second membrane increases the strain relief and liquid resistance.

Double membrane



Technical data

Material: TPE

Flammability: self-extinguishing acc. to UL94-V0

Temperature: -40°C... +105°C (static)

Features: halogens and silicones free

Related products

Hydraulic punch driver HY360

Dimensions [mm]

