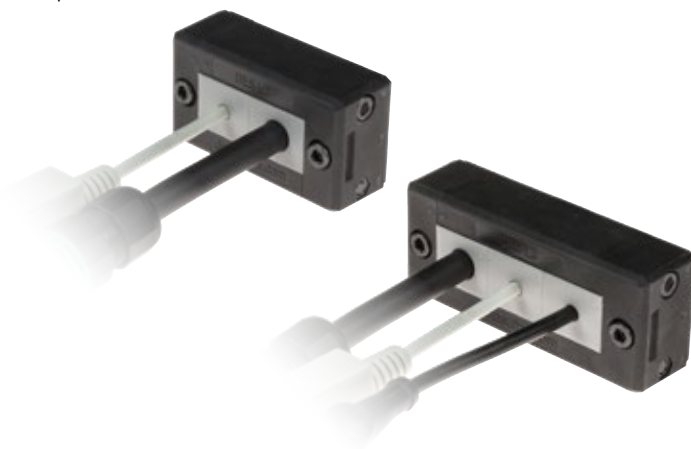


DES L2/L3

Splittable frame for pre-terminated cables

- ▶ Multiple possible configurations in one frame size
- ▶ A small number of cables can be easily accommodated.
- ▶ Frame screws in AISI304 Stainless Steel
- ▶ Integrated gasket
- ▶ Strain relief according to EN 62444
- ▶ Sturdy construction IK10
- ▶ Up to IP66



Model / Code	Some possible configurations	Cut-out [mm]	Pcs / pack
DES-L2_MPX		40 x 18	10
DES-L3_MPX		63 x 18	10
KIT_DES2	Set of 2 mounting screws in AISI304		10

The DES L2 and L3 splittable frames enable pre-terminated cables from 2 to 16mm in diameter to pass through enclosure walls, providing strong strain relief and water protection.

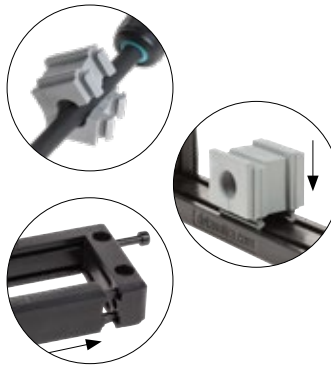
Technical data

Material: PP+GF

Flammability: self-extinguishing acc. to UL94-V0

Temperature: -40°C... +155°C (static)

Features: halogens and silicones free



Related products

- Inserts SPP and SPP K
- Inserts SPP 2x
- Inserts SPP 4x

Dimensions [mm]

