



MPGAMMA

STEEL FACTOR



**PENDANT CONTROL PANEL
JOINTS AND SUPPORT SYSTEMS
CONSOLE**



MPGAMMA



STEEL FACTOR

MPGAMMA, with a well-established industrial tradition, is one of the most important manufacturers of stainless steel casings at a national and European level.

Knowledge and **ongoing learning**, factors that are felt and experienced throughout the day, to ensure and enhance our commitment, to look beyond borders.

Our **continuous research** and **constant focus** on new production technologies are reflected in the manufacturing of each individual product.

The perfect interplay between investments, technology and experience creates a quality product.

Quality certifications are essential to provide maximum safety to our customers.

Investments, corporate and **product certifications** are the trademark of a well-organised and solid company.

All our production and logistics processes have one goal: **balance**.



QUALITY SERVICE

- Product customisation, drilling and pre-processing.
- Special products according to design.
- High flexibility.
- Fast delivery.
- Wide stock availability.
- Direct distribution throughout the country and abroad.
- We can meet any customer requirement.



QUALITY ORGANISATION

- Production in accordance with international UNI EN ISO 9001 standards.
- Total quality process management.
- Qualification of personnel.
- Broad and flexible production programme.
- Fully automated manufacturing systems.
- Cutting-edge production technology.
- Qualified welding personnel in accordance with UNI EN ISO 14732:2013 and UNI EN ISO 9606-1:2013.



QUALITY PRODUCTS

- Stainless steel AISI 304L DIN 1.4307 EN X 2 CrNi 18-09
AISI 316L DIN 1.4404 EN X 2 CrNiMo 17-12-2.
- High-finish TIG, MIG, CMT welding.
- Welding process qualified in accordance with 15614-1:2012 WPQR (Welding Procedure Qualification Record).
- Accessories entirely made of stainless steel.
- Scratch-proof protection of the sheet metal and protective packaging.
- Compliance with the latest hygiene guidelines in the food industry.



INDEX

PRODUCTS

- 4** | **PENDANT CONTROL PANEL ENCLOSURES**
KC SERIES
- 6** | **PENDANT CONTROL PANEL ENCLOSURES**
KCS "SKIN" SERIES
- 8** | **SUPPORTING SUSPENSION ARMS**
T SERIES
- 10** | **CONSOLE**
ARCO T AND ARCO TS SERIES
- 12** | **PLUMP CONSOLE**
PLP SERIES

ACCESSORIES

- 14-15** | TRANSPARENT OVERDOOR FOR PENDANT
CONTROL PANELS AND CONSOLES
- 16** | LOCKS
AND KEYS
- 17** | CONDUCTIVE
SEALS

DIAGRAM POCKET

SWIVEL WHEELS KIT FOR CONSOLE
- 18** | LIFTING FEET KIT
FOR CONSOLE

BOTTOM TILTED SUPPORT
FOR CONSOLE

PROTECTION CAPS KIT FOR CONSOLE
VENTILATION/FILTERING SYSTEMS
- 19** | OPEN DOOR LOCKING
DEVICE FOR CONSOLE

WIRING PLATE
- 20** | JOINT FIXING
BRACKET

FIXED JOINT
- 21** | MACHINE SIDE ROTATING JOINT

PENDANT CONTROL
PANEL SIDE ROTATING JOINT
- 22** | LOCKING
KIT



PENDANT CONTROL PANEL ENCLOSURES KC SERIES

The Pendant control panel enclosures of the “KC” series are designed to contain command and control devices near the operator.



FEATURES

- Entirely made of AISI 304L steel (Wnr 1.4307).
- To be used in conjunction with the “T” series system of load-bearing arms with the relative GM series rotating joints (machine side) or GS series (Pendant control panel side) and fixed joints GF series to ensure smooth control of the instruments.
- Designed for support with arms featuring a 48 mm and 60 mm diameter.
- Can be assembled with the arm support on the lower or upper side and the door is reversible.
- Body with welded and finished corners.
- Door with rounded corners, can be opened to at least 120° with internal stainless steel hinges, side locks with stainless steel insert featuring a double flap, welded and finished corners.
- FINE external SATIN finish, medium Scotch-Brite type.
- Polyurethane seal with robotised application.
- Internal M6 studs bolts fixed at the back of the body to fix DIN bars or a galvanised wiring plate (item KP) to be ordered separately.
- Ergonomic handle.
- Internal M6x16 stainless steel earthing threaded studs bolts.
- Sheet metal thickness values of the body and door from 12/10 mm to 15/10 mm depending on the size.

OPTIONALS UPON REQUEST

- Drilling as per design.
- Resistant silicone seals, from -50°C to + 180°C.
- Products made with AISI 316L or other special steels.
- Special dimensions.
- Generic and specific accessories.

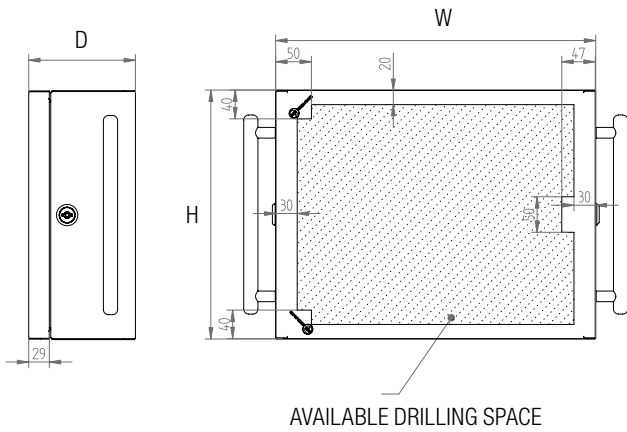
CERTIFICATIONS

- **IP66-IP69K-IK10 protection rating certified by TÜV SUD in accordance with EN 62208.**
- TYPE 1, 12, 4, 4X (cULus) protection rating in accordance with UL50, 508A, 746C and CSA 22.2 No14,94 (upon request).
- Suitable for use in potentially explosive atmospheres (Group -II-, Category -3-, Zone -22,2-) with the application of the accessory KIT-ATEXKC-2-22.
- Welding process qualified in accordance with 15614-1:2012 WPQR (Welding Procedure Qualification Record).

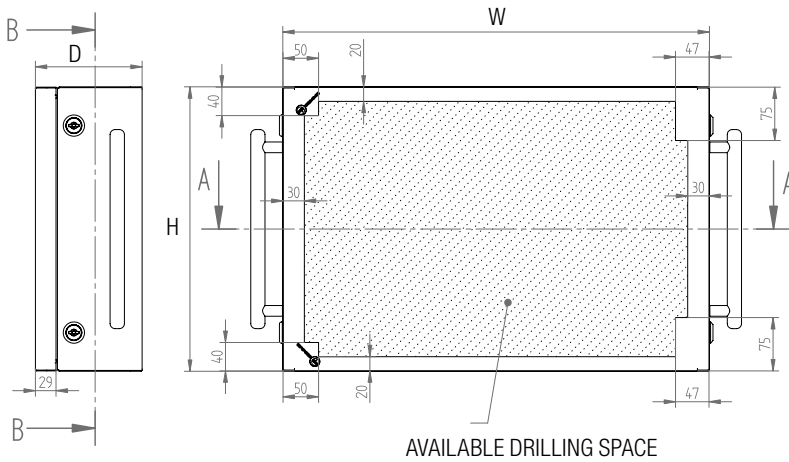


AVAILABLE ACCESSORIES

VERSION WITH 1 CLOSING POINT

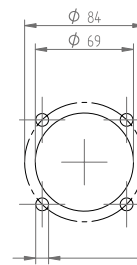


VERSION WITH 2 CLOSING POINTS

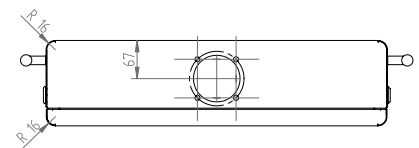
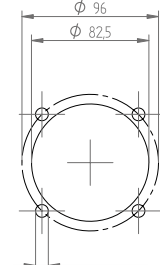


DRILLING DETAILS

Ø 48 JOINT

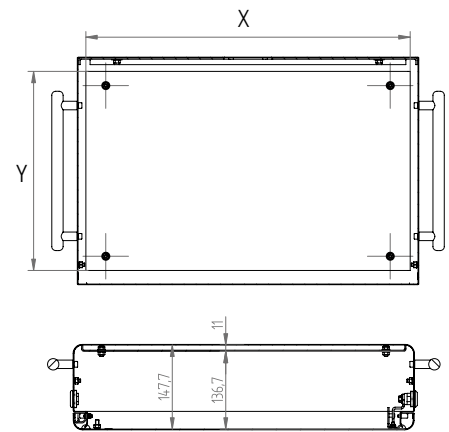


Ø 60 JOINT



WIRING PLATE

(Accessory to be ordered separately)



AVAILABLE SPACE INSIDE THE PENDANT CONTROL PANEL WITH AND WITHOUT THE WIRING PLATE

| Code Art. | External dim. | | | Wiring plate | | | Features | | |
|-----------|---------------|-----|-----|--------------|-----|--------|--------------------|-------------|-------|
| | W | H | D | X | Y | Code | No. Closing points | No. Handles | Joint |
| KC403015 | 400 | 300 | 150 | 370 | 250 | KP4030 | 1 | 2 | Ø 48 |
| KC453515 | 450 | 350 | 150 | 420 | 300 | KP4535 | 1 | 2 | Ø 48 |
| KC504015 | 500 | 400 | 150 | 470 | 350 | KP5040 | 2 | 2 | Ø 60 |
| KC505015 | 500 | 500 | 150 | 470 | 450 | KP5050 | 2 | 2 | Ø 60 |
| KC604015 | 600 | 400 | 150 | 570 | 350 | KP6040 | 2 | 2 | Ø 60 |
| KC605015 | 600 | 500 | 150 | 570 | 450 | KP6050 | 2 | 2 | Ø 60 |



PENDANT CONTROL PANEL ENCLOSURES KCS “SKIN” SERIES

The Pendant control panel enclosures of the KCS “SKIN” series feature an elegant and ultra-thin (just 100 mm) design and have been created to contain command and control devices near the operator.



FEATURES

- Entirely made of AISI 304L steel (Wnr 1.4307).
- At the back there is an inspectable and removable support acting as a link between the supporting arm and the pendant control panel enclosures.
- To be used in conjunction with the “T” series system of load-bearing arms with the relative GM series rotating joints (machine side) or GS series (Pendant control panel side) and fixed joints GF series to ensure smooth control of the instruments.
- Designed for support with arms featuring a 48 mm and 60 mm diameter.
- Can be assembled with the arm support on the lower or upper side and the door is reversible.
- Body with welded finished corners.
- Door with radial corners, can be opened to at least 120° with internal stainless steel hinges, side locks with stainless steel insert featuring a double flap, welded finished corners.
- FINE external SATIN finish, medium Scotch-Brite type.
- Polyurethane seal with robotised application.
- Ergonomic handle.
- Internal M6x16 stainless steel earthing threaded studs bolts.
- Sheet metal thickness values of the body and door from 12/10 mm to 15/10 mm depending on the size.

OPTIONALS UPON REQUEST

- Drilling as per design.
- Resistant silicone seals, from -50°C to + 180°C.
- Products made with AISI 316L or other special steels.
- Special dimensions.
- Generic and specific accessories.

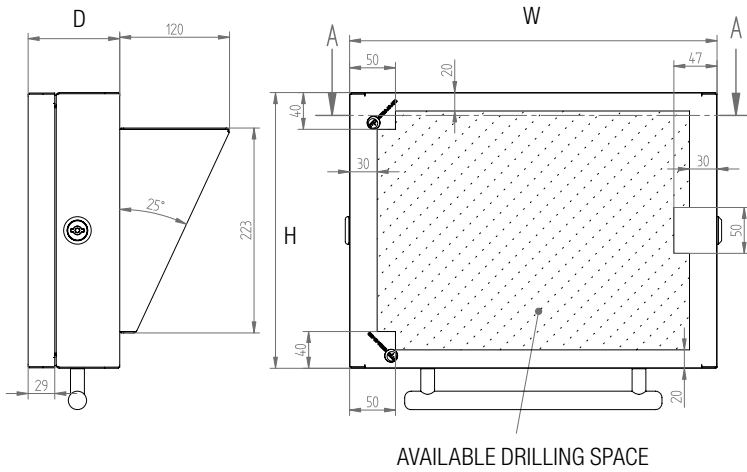
CERTIFICATIONS

- **IP66-IP69K-IK10 protection rating certified by TÜV SUD in accordance with EN 62208.**
- TYPE 1, 12, 4, 4X (cULus) protection rating in accordance with UL50, 508A, 746C and CSA 22.2 No14,94 (upon request).
- Suitable for use in potentially explosive atmospheres (Group -II, Category -3-, Zone -22,2-) with the application of the accessory KIT-ATEXKCS-2-22.
- Welding process qualified in accordance with 15614-1:2012 WPQR (Welding Procedure Qualification Record).

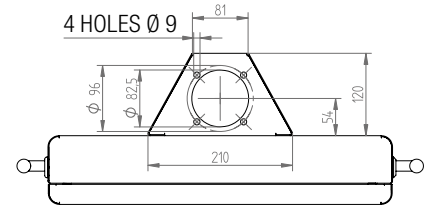


AVAILABLE ACCESSORIES

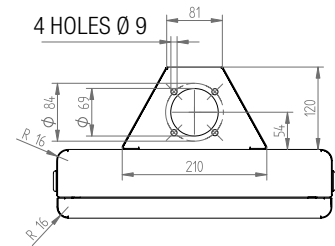
VERSION WITH 1 CLOSING POINT



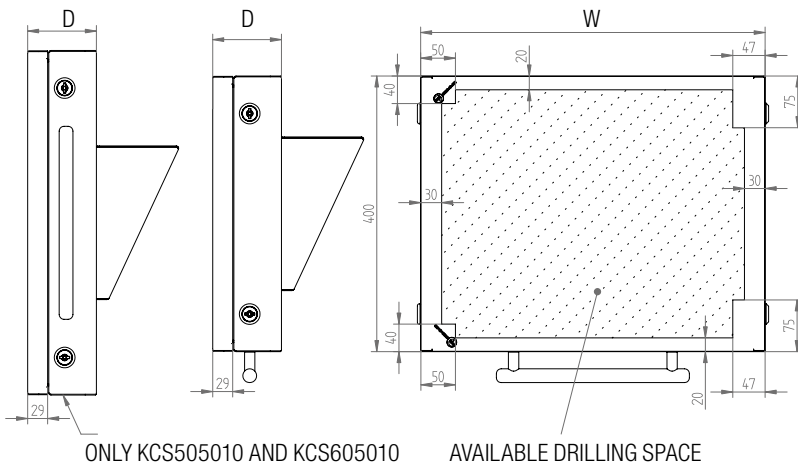
BRACKET FOR Ø 60 JOINT



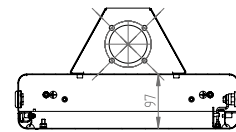
BRACKET FOR Ø 48 JOINT



VERSION WITH 2 CLOSING POINTS



AVAILABLE SPACE INSIDE THE PENDANT CONTROL PANEL



| Code Art. | External dim. | | | Features | | |
|-----------|---------------|-----|-----|--------------|--------------------|----------------|
| | W | H | D | No. Handles | No. Closing points | Shelves |
| KCS403010 | 400 | 300 | 100 | 1 bottom one | 1 | for Ø 48 joint |
| KCS453510 | 450 | 350 | 100 | 1 bottom one | 1 | for Ø 48 joint |
| KCS504010 | 500 | 400 | 100 | 1 bottom one | 2 | for Ø 60 joint |
| KCS505010 | 500 | 500 | 100 | 2 side ones | 2 | for Ø 60 joint |
| KCS604010 | 600 | 400 | 100 | 1 bottom one | 2 | for Ø 60 joint |
| KCS605010 | 600 | 500 | 100 | 2 side ones | 2 | for Ø 60 joint |



SUPPORTING SUSPENSION ARMS T SERIES

Supporting systems consisting of arms and fixed or rotating joints.

To be used in conjunction with our KC and KCS series Pendant control panels items or any other enclosure with an adequate weight and size.



FEATURES

- Supporting arms system, item "T" with a diameter measuring 48 mm and 60 mm, fitted with fixed or rotating joints.
- Entirely made of AISI 304L (WNR 1.4307) with an external satin finish and smooth or sloping surfaces without interstices.
- Designed with a 330° rotation locking system to prevent damage to wiring cables.
- The KC403015, KC453515, KCS403010 and KCS453510 models are designed for supporting arms with a 48 mm diameter.
- The KC504015, KC505015, KC604015, KC605010, KCS504010, KCS505010, KCS604010 and KCS605010 models are designed for supporting arms with a 60 mm diameter.
- The arms are assembled and welded when they are supplied.
- For special applications with strong vibrations, lengths exceeding 1000 mm or heavy weights, it may be necessary to use specific reinforcements applied to the supporting arm.

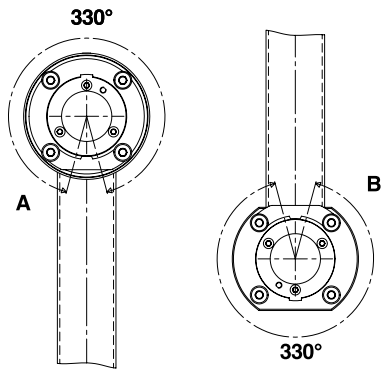
OPTIONALS UPON REQUEST

- Length and geometric shape of the arms according to customer specifications.

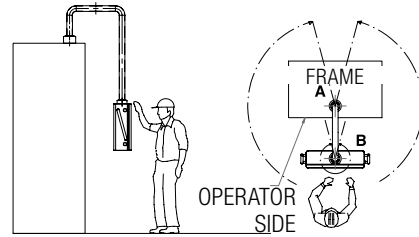
CERTIFICATIONS

- **IP66-IP69K-IK10 protection rating.**
- Welding process qualified in accordance with 15614-1:2012 WPQR (Welding Procedure Qualification Record).





AVAILABLE ACCESSORIES

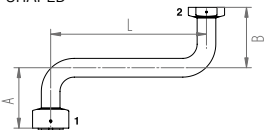


For orders or quotes, we recommend creating the code by using the designated diagram. Check the recommended minimum and maximum size, by specifying which is the machine side and the Pendant control panel side, as the type of joint is different. (See page 20 and 21 for the type of joint)

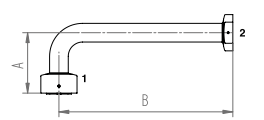
C-SHAPED



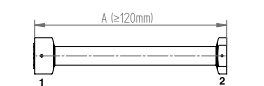
S-SHAPED



L-SHAPED



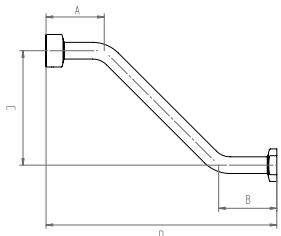
I-SHAPED



| T | ITEM CODE |
|------|--|
| 4 | PIPE DIAMETER Ø 48,3 |
| 6 | PIPE DIAMETER Ø 60,3 |
| C | PIPE GEOMETRICAL SHAPE |
| S | PIPE GEOMETRICAL SHAPE |
| L | PIPE GEOMETRICAL SHAPE |
| I | PIPE GEOMETRICAL SHAPE |
| ■■■■ | A SIDE LENGTH - MIN. 200 x Ø48 - MIN. 250 x Ø60 |
| ■■■■ | L SIDE LENGTH - MIN. 400 |
| ■■■■ | B SIDE LENGTH - MIN. 200 x Ø48 - MIN. 250 x Ø60 |
| M | MACHINE SIDE 1 JOINT TYPE - ROTATING, LARGE |
| F | MACHINE SIDE 1 JOINT TYPE - FIXED, BEVELLED |
| X | WITHOUT JOINT ON SIDE 1 |
| S | PENDANT CONTROL PANEL SIDE 2 JOINT TYPE - ROTATING, BEVELLED |
| F | PENDANT CONTROL PANEL SIDE 2 JOINT TYPE - FIXED, BEVELLED |
| X | WITHOUT JOINT ON SIDE 2 |
| H | PLATE ON MACHINE SIDE |

E.G. T 4 C 0200 0400 0200 M S H

Z-SHAPED



| Z | ITEM CODE |
|------|--|
| 4 | PIPE DIAMETER Ø 48,3 |
| 6 | PIPE DIAMETER Ø 60,3 |
| ■■■■ | A SIDE LENGTH - MIN. 200 x Ø48 - MIN. 250 x Ø60 |
| M | MACHINE SIDE 1 JOINT TYPE - ROTATING, LARGE |
| F | MACHINE SIDE 1 JOINT TYPE - FIXED, BEVELLED |
| X | WITHOUT JOINT ON SIDE 1 |
| ■■■■ | B SIDE LENGTH - MIN. 200 x Ø48 - MIN. 250 x Ø60 |
| S | PENDANT CONTROL PANEL SIDE 2 JOINT TYPE - ROTATING, BEVELLED |
| F | PENDANT CONTROL PANEL SIDE 2 JOINT TYPE - FIXED, BEVELLED |
| X | WITHOUT JOINT ON SIDE 2 |
| ■■■■ | C SIDE LENGTH - MIN. 400 |
| ■■■■ | D SIDE LENGTH - MIN. 400 |

ES: Z 4 250 M 300 S 0400 - 0800



CONSOLE ARCO T AND ARCO TS SERIES

The ARCO series was created to meet the need to protect industrial PCs and operator panels, the brain and the interface of all industrial automation systems.

Its enclosure, with an attractive design, is entirely made of AISI 304L (WNR 1.4307), one of the best-performing materials in terms of mechanical characteristics and corrosion resistance.

The ARCO T solution only consists of the upper storage box, while the TS version also includes the lower box with dropleaf opening. The 2 boxes are connected to each other to allow the cables to pass through.



FEATURES

- External box and dropleaf (only the TS version) featuring a FINE SATIN finish, medium Scotch-Brite.
- Upper box body with front and rear door that can be opened to 120° with internal stainless steel hinges, stainless steel locks and polyurethane seal with robotised application.
- Removable flange with screws and seal on the lower side of the box.
- Internal M6x15 stainless steel earthing threaded studs bolts, in line with current regulations.
- Supporting pipes, also made of AISI 304L, bent and mirror-polished with cable entry holes near the box body couplings.
- Solid AISI 304L base with ergonomic design and fitted with 4 height-adjustable feet and lower protections for the bottom infeed cables.
- Bottom dropleaf (TS version only) with front top-opening door with traction gas springs for speed-controlled opening.
- Pull-out mouse-holder.
- Keyboard fixing system.
- Galvanized sheet metal wiring plate attached at the back to fix a terminal block or other devices.

OPTIONALS UPON REQUEST

- Drilling as per design.
- Resistant silicone seals, from -50°C to + 180°C.
- Products made with AISI 316L or other special steels.
- Special dimensions.
- Generic and specific accessories.

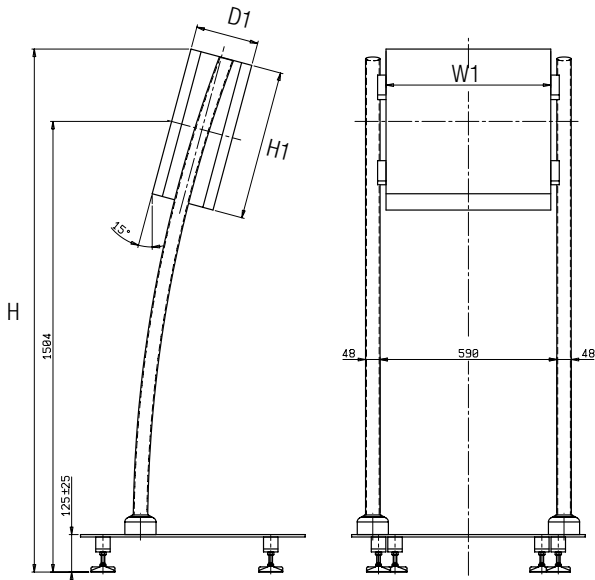
CERTIFICATIONS

- **IP66 IK10 protection rating in accordance with EN 62208.**
- Welding process qualified in accordance with 15614-1:2012 WPQR (Welding Procedure Qualification Record).

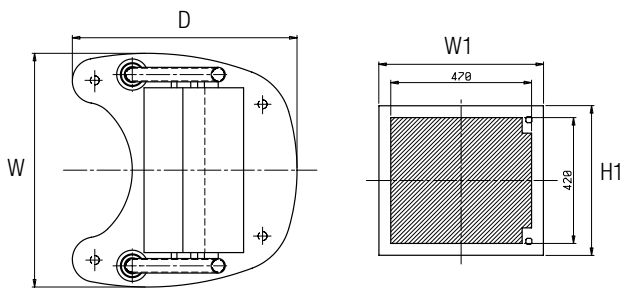
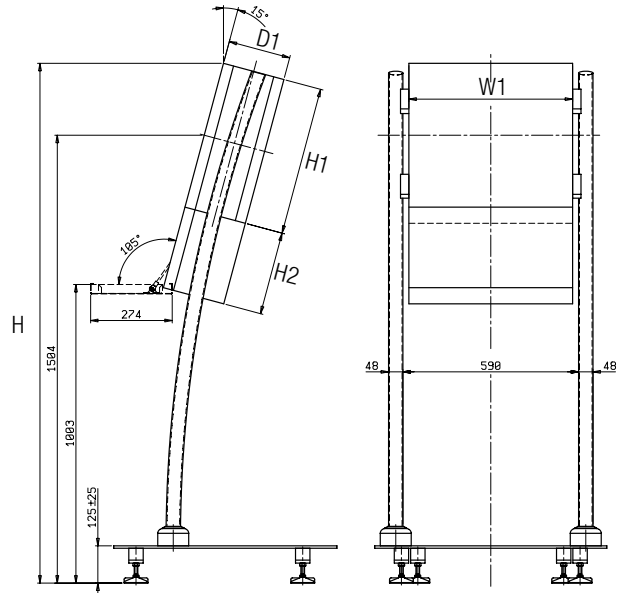


AVAILABLE ACCESSORIES

ARCO T



ARCO TS



AVAILABLE DOOR DRILLING SPACE



| Code Art. | Dimensions | | | Box dimensions | | | Keyboard Compartment |
|----------------|------------|------|-----|----------------|-----|-----|----------------------|
| | W | H | D | W1 | H1 | D1 | H2 |
| ARCO T | 780 | 1746 | 750 | 550 | 500 | 210 | - |
| ARCO TS | 780 | 1746 | 750 | 550 | 500 | 210 | 280 |



▶ PLUMP CONSOLE PLP SERIES

The PLUMP Console was created to meet the need to protect industrial PCs and operator panels, the brain and the interface of all industrial monitoring and automation systems.

PLUMP is an innovative multipurpose system, whose enclosure is suitable for any kind of application.

An innovative design, the fact of being easy to clean, the high protection rating and especially the elegance complete the features of the PLUMP system, making it a valuable ally for installers, builders and design engineers in the field of machines and systems for food production and processing, pharmaceuticals, chemicals, as well as the oil and gas sector.

It ensures the operator panel can be integrated with the semi-automatic and manual controls.



FEATURES

- Made of AISI 304L (WNR 1.4307).
- FINE external SATIN finish, medium Scotch-Brite type.
- Available with the console container in 2 different sizes.
- Swivel joint with 330° lock under the enclosure of the console.
- N.02 ergonomic stainless steel side handles.
- N.02 side stainless steel handles with 1/4 of a turn and double flap insert.
- Tilted console for improved ergonomics, with openable and reversible front door.
- Galvanised wiring plate.
- Removable rear flange flush with the sheet metal, without interstices, designed for drilling and installing ventilation systems (natural/forced, air-conditioning).
- Sturdy supporting rod, 60mm diameter.
- Base with removable cable infeed flange.
- Strong, wide base to ensure full safety and stability.

OPTIONALS UPON REQUEST

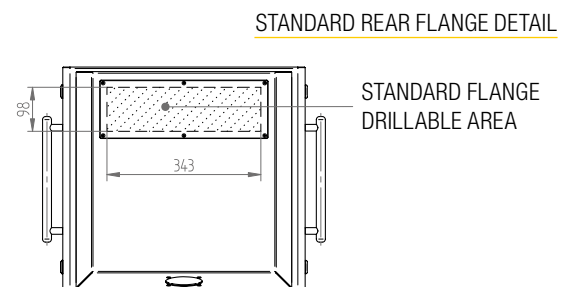
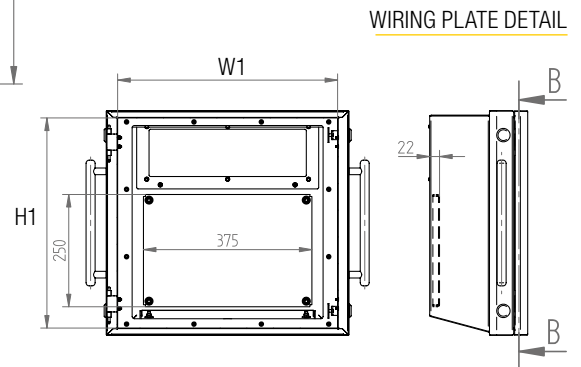
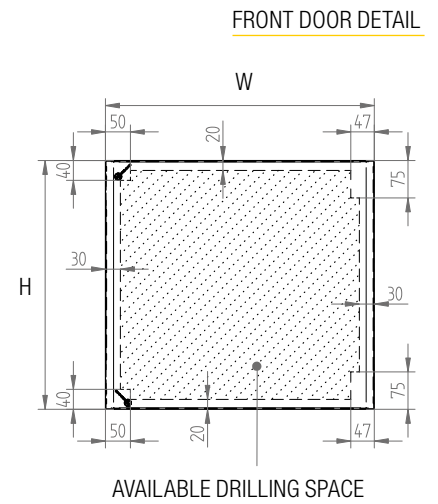
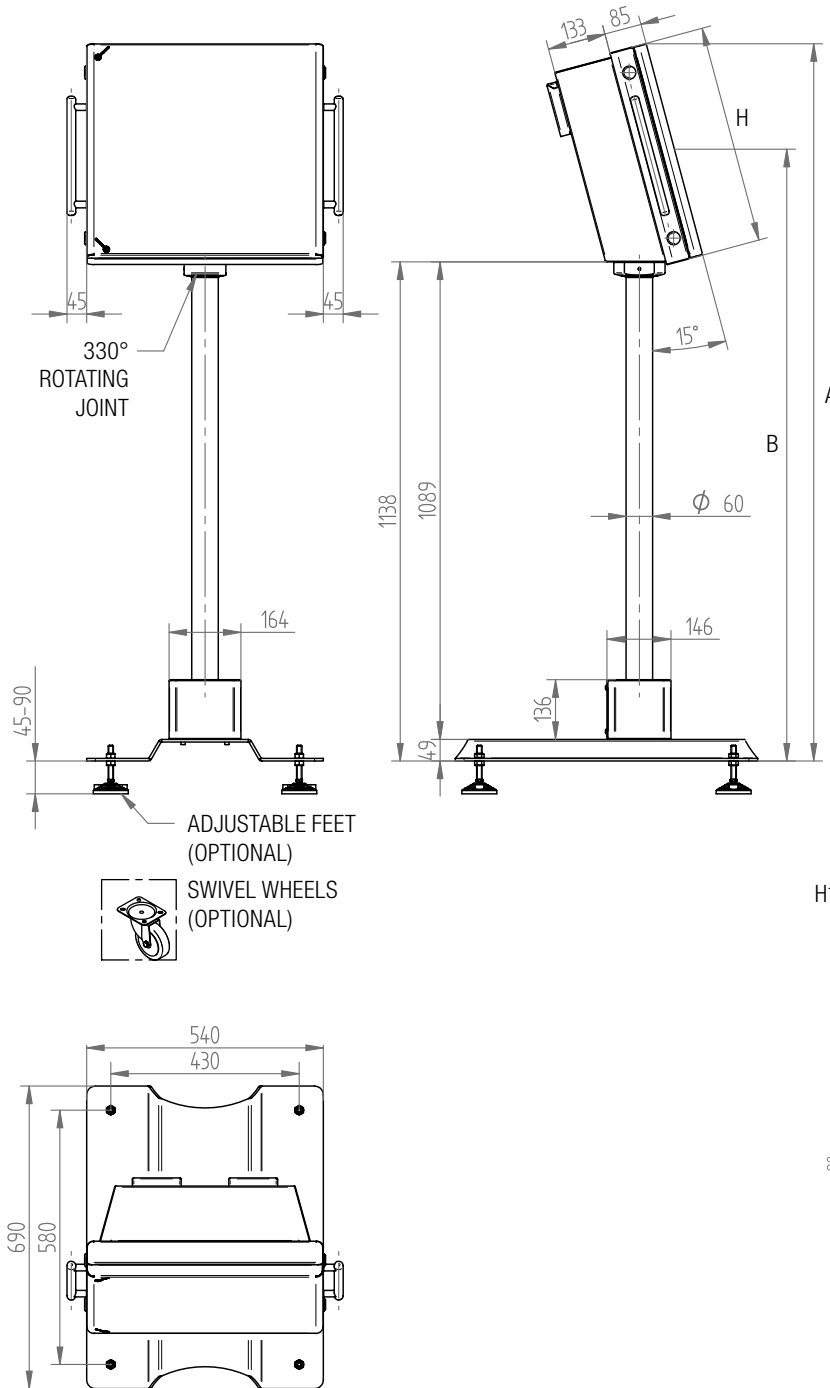
- Drilling as per design.
- Resistant silicone seals, from -50°C to + 180°C.
- Products made with AISI 316L or other special steels.
- Special dimensions.
- Generic and specific accessories.

CERTIFICATIONS

- **IP66-IK10 and IP69-IK10 protection rating in accordance with EN 62208.**
- Welding process qualified in accordance with 15614-1:2012 WPQR (Welding Procedure Qualification Record).



AVAILABLE ACCESSORIES



| Code Art. | Dimensions | | Doors | Available front inlet dimensions | | Vertical overall dimensions | |
|-----------|------------|-----|-------|----------------------------------|-----|-----------------------------|------|
| | W | H | N° | W1 | H1 | A | B |
| PLP5450 | 540 | 500 | 1 | 485 | 465 | 1635 | 1395 |
| PLP6050 | 600 | 500 | 1 | 545 | 465 | 1635 | 1395 |

ACCESSORIES

TRANSPARENT OVERDOOR

KC KCS ARCO T ARCO TS PLP

Made of AISI 304 L (WNR 1.4307) stainless steel and used to protect the components and devices mounted at the front of the enclosure, ensuring an IP66 IK10 and IP69K IK10 protection rating.

The transparent panel is made of shock-proof LEXAN as standard, but can be replaced with laminated safety glass.

Reversible door opening, i.e. the hinges can be mounted on the right or on the left: in the KC, KCS and PLP series it is 180°, while in the ARCO T and ARCO TS series, it is 90° or 180°, depending on the application.

A 1/4-turn lock installed, entirely made of stainless steel with 3mm double-flap insert, but can be replaced by any kind of lock or insert.



VERSION FOR PENDANT CONTROL PANELS

KC KCS

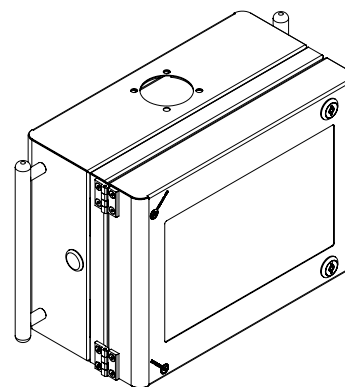
The overdoor is assembled in the factory and must be ordered together with the enclosure.

(The width of the overdoor must be the same as the one of the control panel.)

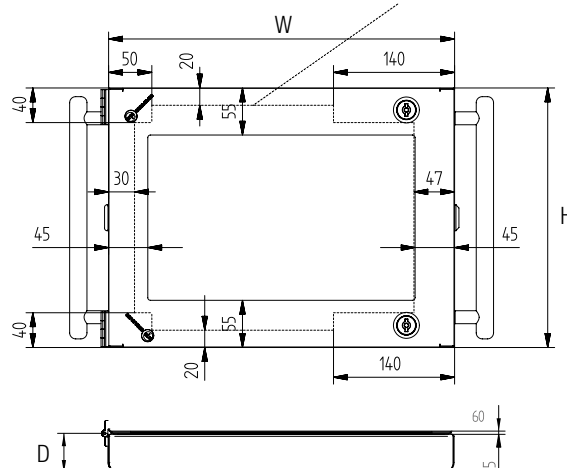
| Code | W | H | D |
|----------|-----|-----|----|
| SVK40306 | 400 | 300 | 60 |
| SVK45356 | 450 | 350 | 60 |
| SVK50406 | 500 | 400 | 60 |
| SVK50506 | 500 | 500 | 60 |
| SVK60406 | 600 | 400 | 60 |
| SVK60506 | 600 | 500 | 60 |

We can supply a kit to be assembled on site, by ordering the SVK_K code individually, consisting of a Pendant control panel door and overdoor.

Easy assembly, carried out directly by the final client.



AVAILABLE DRILLING SPACE ON THE PENDANT CONTROL PANEL DOOR WITH OVERDOOR



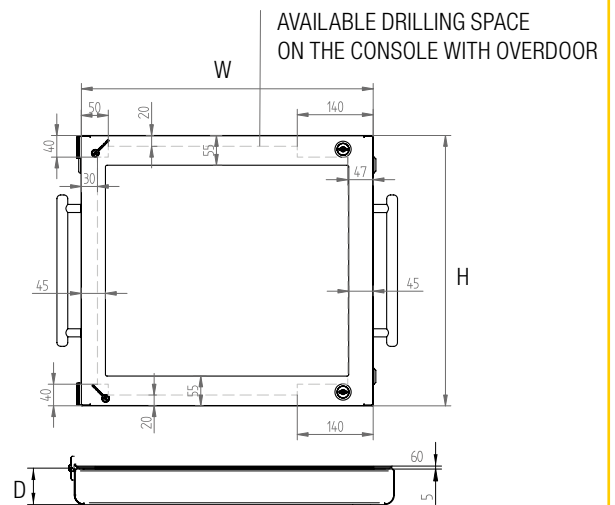
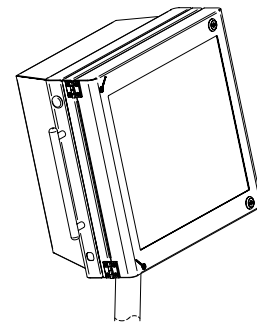
VERSION FOR PLUMP CONSOLE
PLP

The overdoor is assembled in the factory and must be ordered together with the Console.

| Code | W | H | D |
|-------------------|-----|-----|----|
| SVPLP54506 | 540 | 500 | 60 |
| SVPLP60506 | 600 | 500 | 60 |

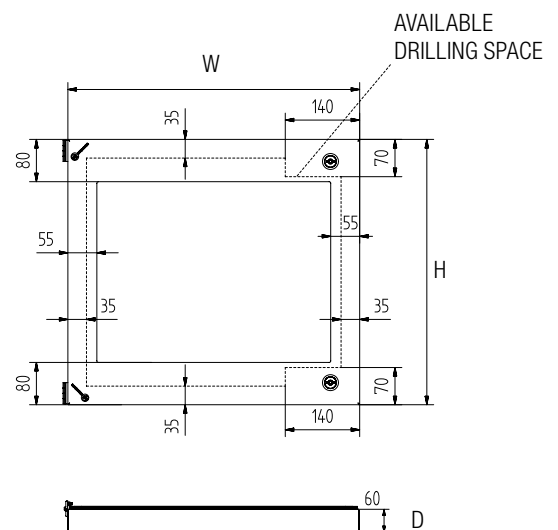
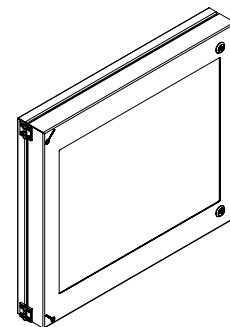
We can supply a kit to be assembled on site, by ordering the SVPLP_K code individually, consisting of a Console door and overdoor.

Easy assembly, carried out directly by the final client.


VERSION FOR ARCO CONSOLE
ARCO T **ARCO TS**

We supply an assembly kit with the relative template for drilling on site or it can be pre-assembled upon request.

| Code | W | H | D |
|--------------------|-----|-----|----|
| SVARC055506 | 550 | 500 | 60 |



ACCESSORIES

LOCKS AND KEYS

KC KCS ARCO T ARCO TS PLP

Keys and locks commonly used for Pendant control panel enclosures, KC and KCS series, ARCO T and ARCO TS series Consoles and PLP series Consoles. Locks and keys with any kind of insert, with ciphering or custom-made can be supplied upon request.

VERSION FOR PENDANT CONTROL PANELS AND CONSOLES

KC KCS PLP

| Code | Description |
|---------------|--|
| ACC016_KC | STEEL TWIN COMB LOCK STAINLESS STEEL 304 (without key) |
| ACC016_Q_KC | PANEL INSERT LOCK 8 mm MADE OF STAINLESS STEEL 304 (with key) |
| ACC016_T_KC | TRIANGLE INSERT LOCK 8 mm MADE OF STAINLESS STEEL 304 (with key) |
| ACC016_IG_KC | LOCK FOR HYGIENE STANDARDS MADE OF STAINLESS STEEL 316 (with key) |
| ACC017_1_KC | WING LOCK WITH CIPHERED KEY EK333 |
| ACC017_1_C_KC | CHROMIUM-PLATED WING LOCK WITH CIPHERED KEY EK333 |
| ACC018 | BLACK ZAMAK TWIN COMB KEY |
| ACC020_KC | T-SHAPED POLYAMIDE HANDLE GH=18 mm WITH CIPHERED KEY EK333 |

VERSION FOR CONSOLE

ARCO T ARCO TS

| Code | Description |
|------------|--|
| ACC016 | STEEL TWIN COMB LOCK STAINLESS STEEL 304 (without key) |
| ACC016_Q | PANEL INSERT LOCK 8 mm MADE OF STAINLESS STEEL 304 (with key) |
| ACC016_T | TRIANGLE INSERT LOCK 8 mm MADE OF STAINLESS STEEL 304 (with key) |
| ACC016_IG | LOCK FOR HYGIENE STANDARDS MADE OF STAINLESS STEEL 316 (with key) |
| ACC017_1 | WING LOCK WITH CIPHERED KEY EK333 |
| ACC017_1_C | CHROMIUM-PLATED WING LOCK WITH CIPHERED KEY EK333 |
| ACC018 | BLACK ZAMAK TWIN COMB KEY |
| ACC020 | T-SHAPED POLYAMIDE HANDLE GH=18 mm WITH CIPHERED KEY EK333 |



CONDUCTIVE SEALS



Suited to manufacture boxes and special cabinets where there is the need to reduce the effects of electromagnetic waves.

They are available in both the fitted version (to be mounted on a straight sheet metal edge) and the adhesive one.



| Code | Description |
|----------|--|
| ACC027_1 | EMC SEAL COVERED WITH SATMET FABRIC (EURO/METRE, FITTED) |
| ACC027_2 | 10X4 ADHESIVE SEAL COVERED WITH SATMET FABRIC (EURO/METRE) |

DIAGRAM POCKET



Made of self-adhesive orange plastic for A4-size diagrams.

| Code | Description |
|--------|-----------------------------------|
| ACC028 | LARGE DIAGRAM POCKET (260X240X30) |



SWIVEL WHEELS KIT FOR CONSOLE



Kit consisting of 2 swivel wheels and 2 swivel wheels with brakes and AISI 304L (WNR 1.4307) stainless steel support and rubber tread.



| Code | Description |
|-------------|--|
| ARCO_SAC011 | SWIVEL WHEELS KIT FOR ARCO T / ARCO TS CONSOLE |
| PLP_SAC011 | SWIVEL WHEELS KIT FOR PLP CONSOLE |



ACCESSORIES

LIFTING FEET KIT FOR CONSOLE

PLP

Kit consisting of:

- 4 adjustable feet with M12 rod made of AISI 304L stainless steel
- Articulated polyamide plate that can be anchored to the floor
- Screws for the assembly stage.



| Code | Description |
|------------|---|
| PLP_SAC008 | KIT OF STAINLESS STEEL/POLYAMIDE FEET (no. 04 feet) H=50/150 |

BOTTOM TILTED SUPPORT FOR CONSOLE

PLP

For a better use of the console, we provide a simple and elegant stainless steel supporting surface.



| Code | Description |
|------------|-----------------------|
| PLP_SAC002 | BOTTOM TILTED SUPPORT |

PROTECTION CAPS KIT FOR CONSOLE VENTILATION/FILTERING SYSTEMS

PLP

To ensure correct ventilation for the internal components, the rear closure flange can be replaced with a stainless steel caps kit to protect the grilles ("FIL" series filters) for natural or forced ventilation (filter+fan of the "FAN" series) of a standard size, 115x115.

The PLP_K2HPS115 kit is used to ensure the protection rating is kept up to IP55 and is perfectly integrated into the design of the "PLUMP" console.



| Code | Description |
|--------------|--|
| PLP_K2HPS115 | STAINLESS STEEL CAP FOR FILTER/FAN 115x115 MM |

OPEN DOOR LOCKING DEVICE FOR CONSOLE



Device that keeps the door of the ARCO T, ARCO TS and PLP series Console in the open position and prevents accidental closing.

It can be supplied in an assembly kit or pre-assembled upon request.

Assembly on site might require holes or the application of electro-welded studs.



| Code | Description |
|--------------------|---|
| ARCO_ACC048 | OPEN DOOR LOCK FOR ARCO T / ARCO TS CONSOLE |
| PLP_ACC048 | OPEN DOOR LOCK FOR PLP CONSOLE |

WIRING PLATE



Wiring plate for KC series Pendant control panel, made of hot galvanised steel sheet.

For the positioning values inside the wall-mounted control container, see the technical drawings of KC models in the catalogue.



| Code | Description |
|---------------|---|
| KP4030 | WIRING PLATE FOR PENDANT CONTROL PANEL KC403015 - W= 370 H=250 |
| KP4535 | WIRING PLATE FOR PENDANT CONTROL PANEL KC453515 - W= 420 H=300 |
| KP5040 | WIRING PLATE FOR PENDANT CONTROL PANEL KC504015 - W= 470 H=350 |
| KP5050 | WIRING PLATE FOR PENDANT CONTROL PANEL KC505015 - W= 470 H=450 |
| KP6040 | WIRING PLATE FOR PENDANT CONTROL PANEL KC604015 - W= 570 H=350 |
| KP6050 | WIRING PLATE FOR PENDANT CONTROL PANEL KC605015 - W= 570 H=450 |



ACCESSORIES

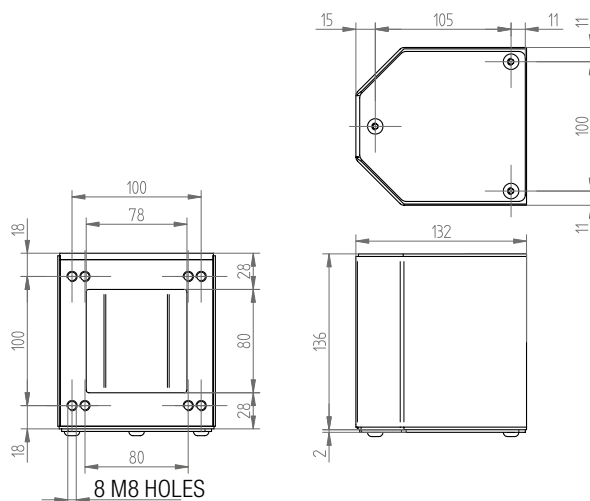
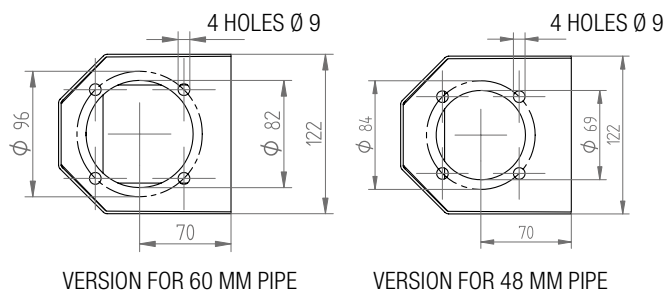
JOINT FIXING BRACKET

KC KCS T

Specific stainless steel accessory for vertical wall-mounted pipe.



| Code | Description |
|------|--|
| M48 | FOR Ø 48 MM VERTICAL WALL-MOUNTED PIPE |
| M60 | FOR Ø 60 MM VERTICAL WALL-MOUNTED PIPE |

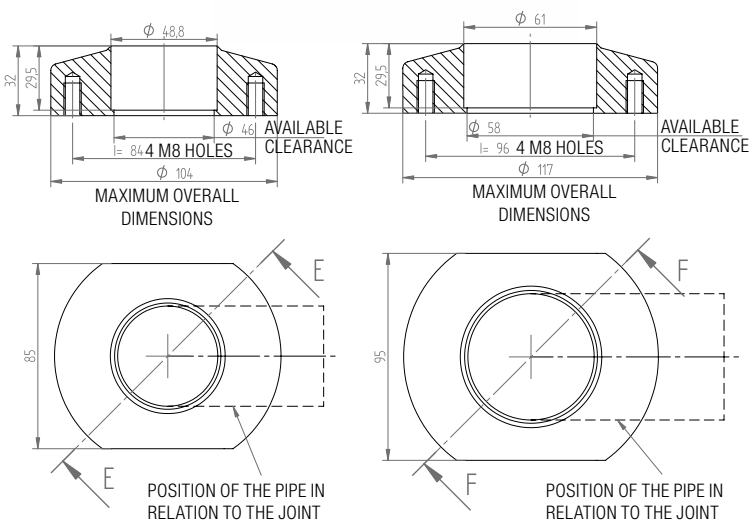


FIXED JOINT

KC KCS T

Specific stainless steel accessory that does not allow the rotation of the supporting arm.

| Code | Description |
|------|------------------|
| GF48 | FOR Ø 48 MM PIPE |
| GF60 | FOR Ø 60 MM PIPE |



GF48: FOR Ø48 PIPE

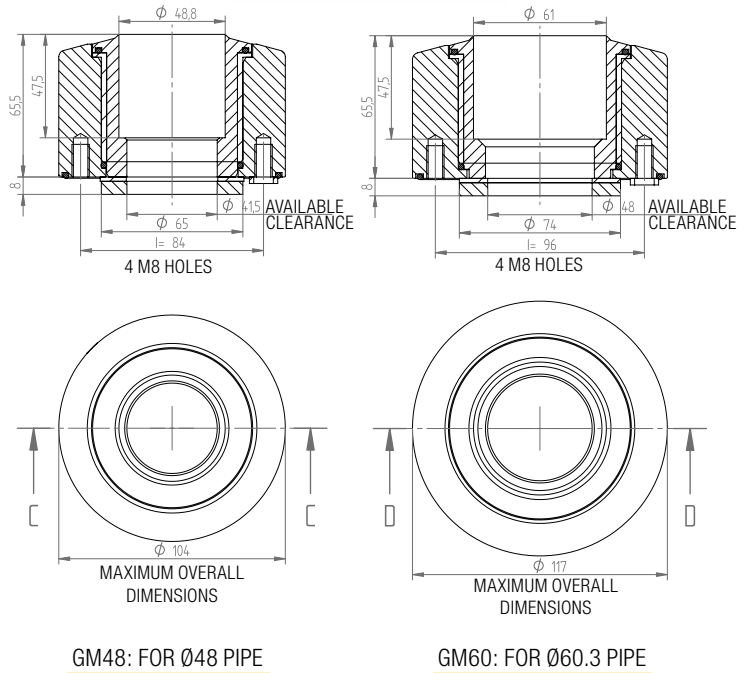
GF60: FOR Ø60.3 PIPE

ROTATING JOINT MACHINE SIDE

KC KCS T

Specific stainless steel accessory for the pipe on the machine side, which ensures the rotation of the supporting arm and it supports its weight.

| Code | Description |
|-------------|---------------------------------------|
| GM48 | FOR Ø 48 MM PIPE FOR THE MACHINE SIDE |
| GM60 | FOR Ø 60 MM PIPE FOR THE MACHINE SIDE |

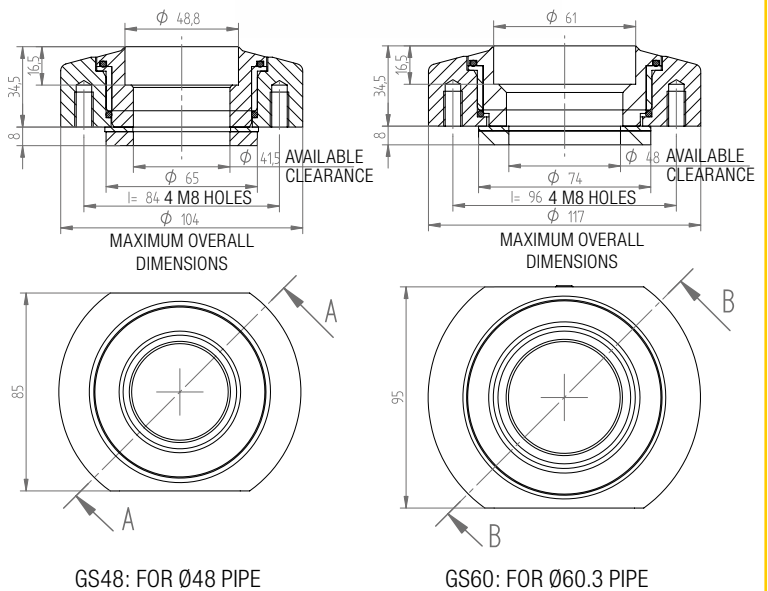


ROTATING JOINT PENDANT CONTROL PANEL SIDE

KC KCS T

Specific stainless steel accessory for the pipe on the Pendant control panel side, which ensures the rotation of the supporting arm.

| Code | Description |
|-------------|---|
| GS48 | FOR Ø 48 MM PIPE FOR THE PENDANT CONTROL PANEL SIDE |
| GS60 | FOR Ø 60 MM PIPE FOR THE PENDANT CONTROL PANEL SIDE |





ACCESSORIES

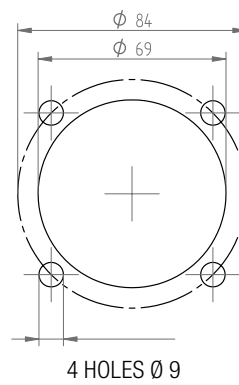
LOCKING KIT

KC KCS T

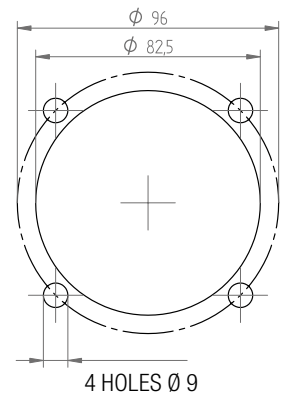
180° locking kit for stainless steel rotating joints.



| Code | Description |
|--------------|--|
| KGM-GS48_180 | 180° LOCKING KIT FOR ROTATING JOINTS – ITEM GM48 AND ITEM GS48 |
| KGM-GS60_180 | 180° LOCKING KIT FOR ROTATING JOINTS – ITEM GM60 AND ITEM GS60 |



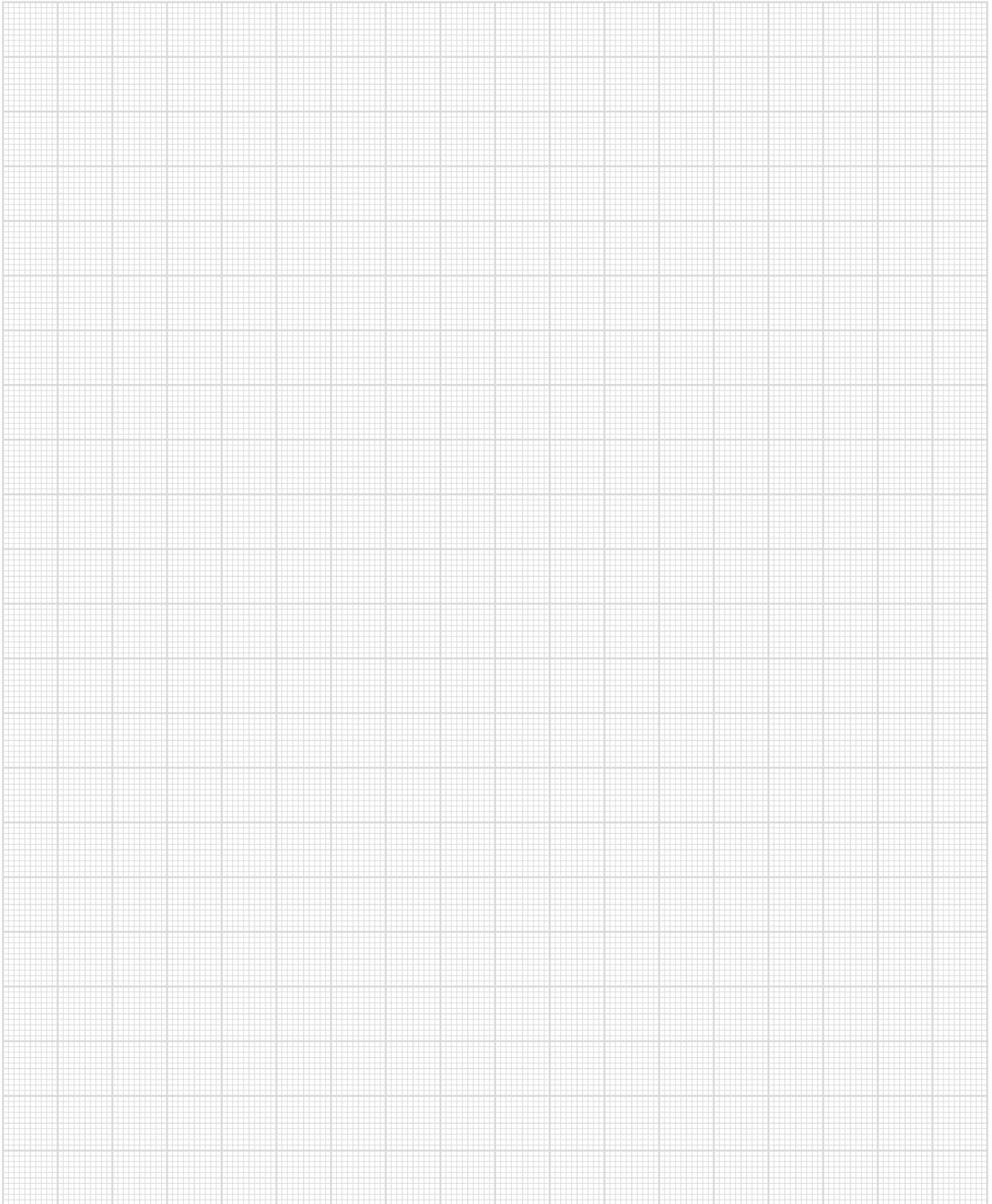
DRILLING TEMPLATE
FOR Ø48 JOINT



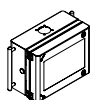
DRILLING TEMPLATE
FOR Ø60 JOINT

NOTES

NOTES



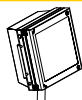
ACCESSORIES/PRODUCTS TABLE



KC KCS

TRANSPARENT OVERDOOR
FOR PENDANT CONTROL PANELS

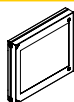
P 14



PLP

TRANSPARENT OVERDOOR
FOR PLUMP CONSOLE

P 15



ARCO T ARCO TS

TRANSPARENT OVERDOOR
FOR ARCO CONSOLE

P 15



KC KCS ARCO T ARCO TS PLP

LOCKS
AND KEYS

P 16



KC KCS ARCO T ARCO TS PLP

CONDUCTIVE
SEALS

P 17



KC KCS ARCO T ARCO TS PLP

DIAGRAM
POCKET

P 17



ARCO T ARCO TS PLP

SWIVEL WHEELS
KIT FOR CONSOLE

P 17



PLP

LIFTING FEET KIT
FOR CONSOLE

P 18



PLP

BOTTOM TILTED SUPPORT
FOR CONSOLE

P 18



PLP

PROTECTION CAPS KIT FOR CONSOLE
VENTILATION/FILTERING SYSTEMS

P 18



ARCO T ARCO TS PLP

OPEN DOOR LOCKING DEVICE
FOR CONSOLE

P 19



KC

WIRING
PLATE

P 19



KC KCS T

JOINT FIXING
BRACKET

P 20



KC KCS T

FIXED
JOINT

P 20



KC KCS T

MACHINE SIDE
ROTATING JOINT

P 21



KC KCS T

PENDANT CONTROL PANEL
SIDE ROTATING JOINT

P 21



KC KCS T

LOCKING
KIT

P 22

ACCESSORIES
PRODUCTS
TABLE

MPGAMMA S.r.l.

Via Cisa Ligure, 43/A

42041 Brescello (RE) - Italia

Tel: +39 0522 686079

Fax: +39 0522 962185

info@mpgamma.com

www.mpgamma.com