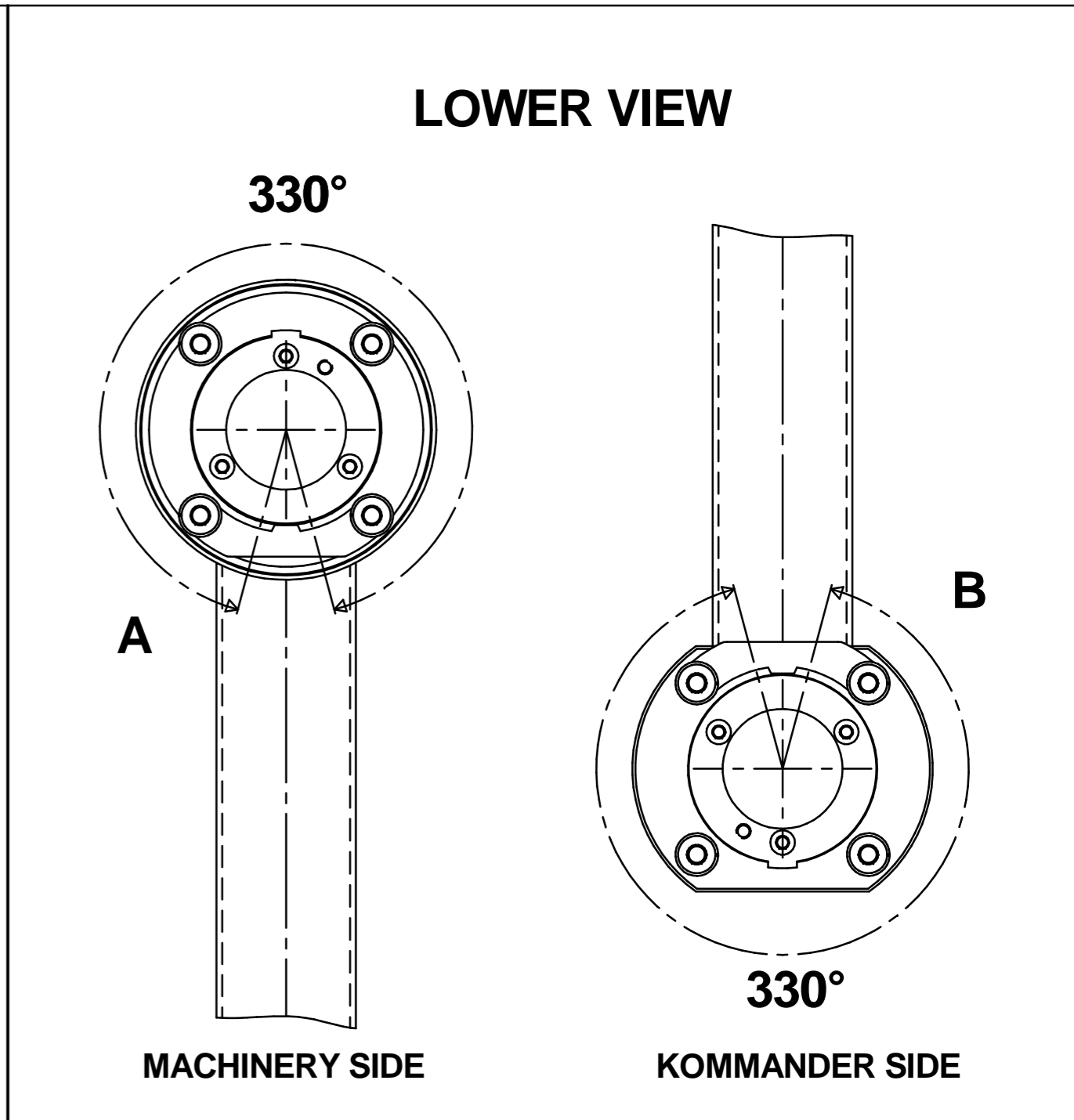
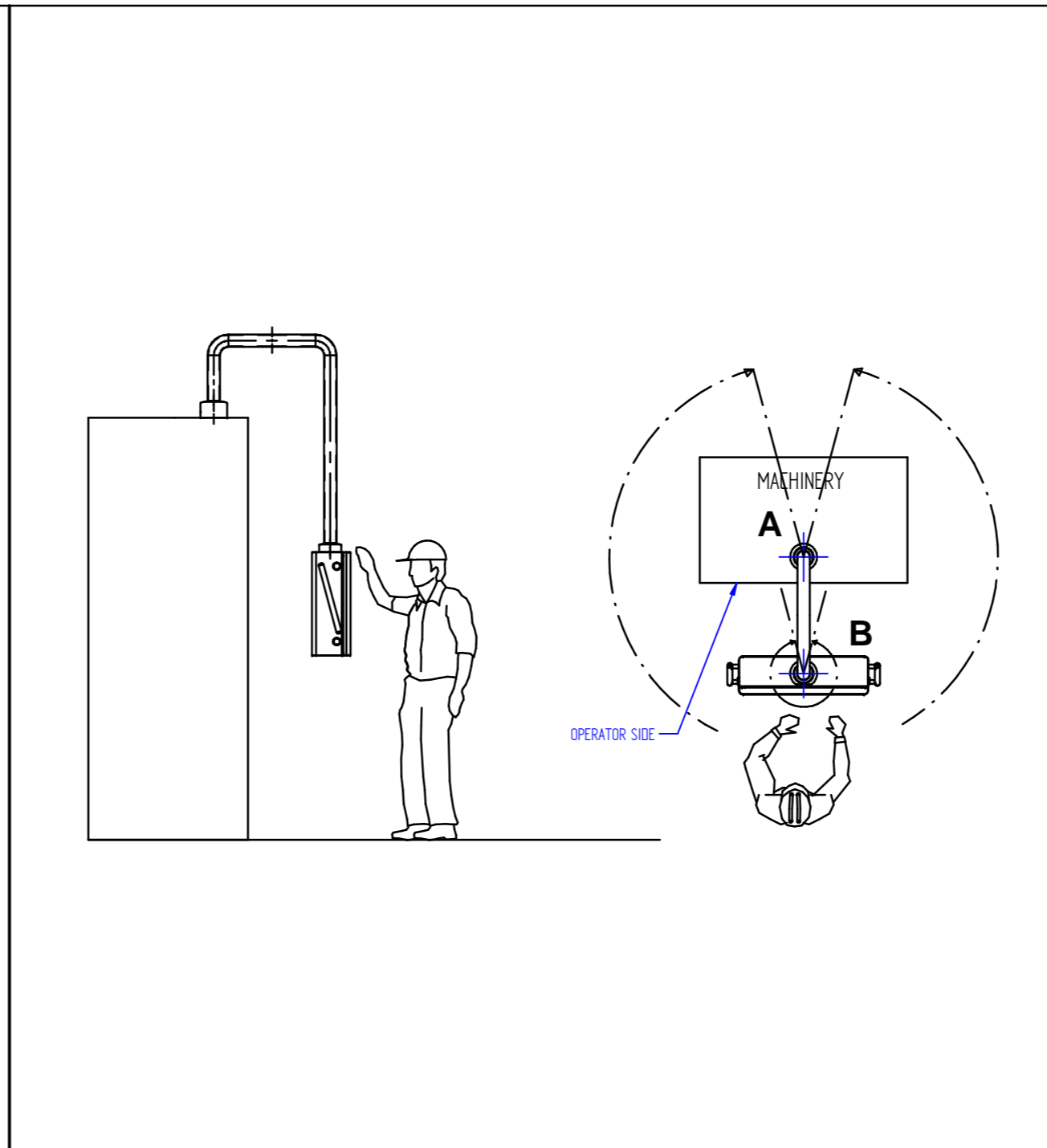
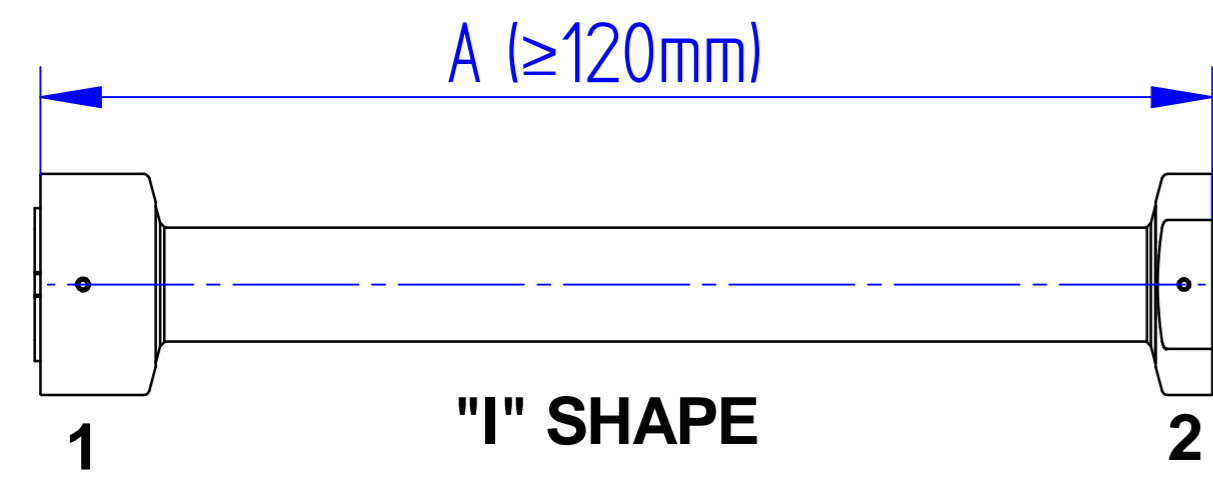
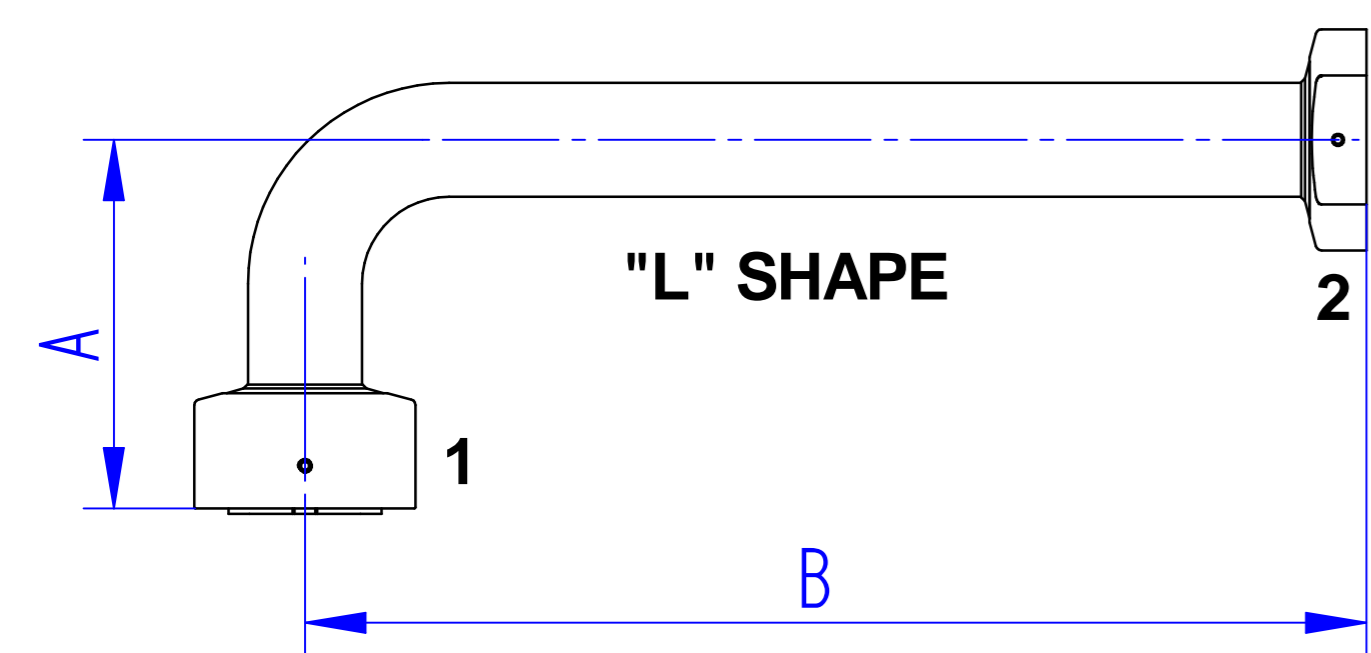
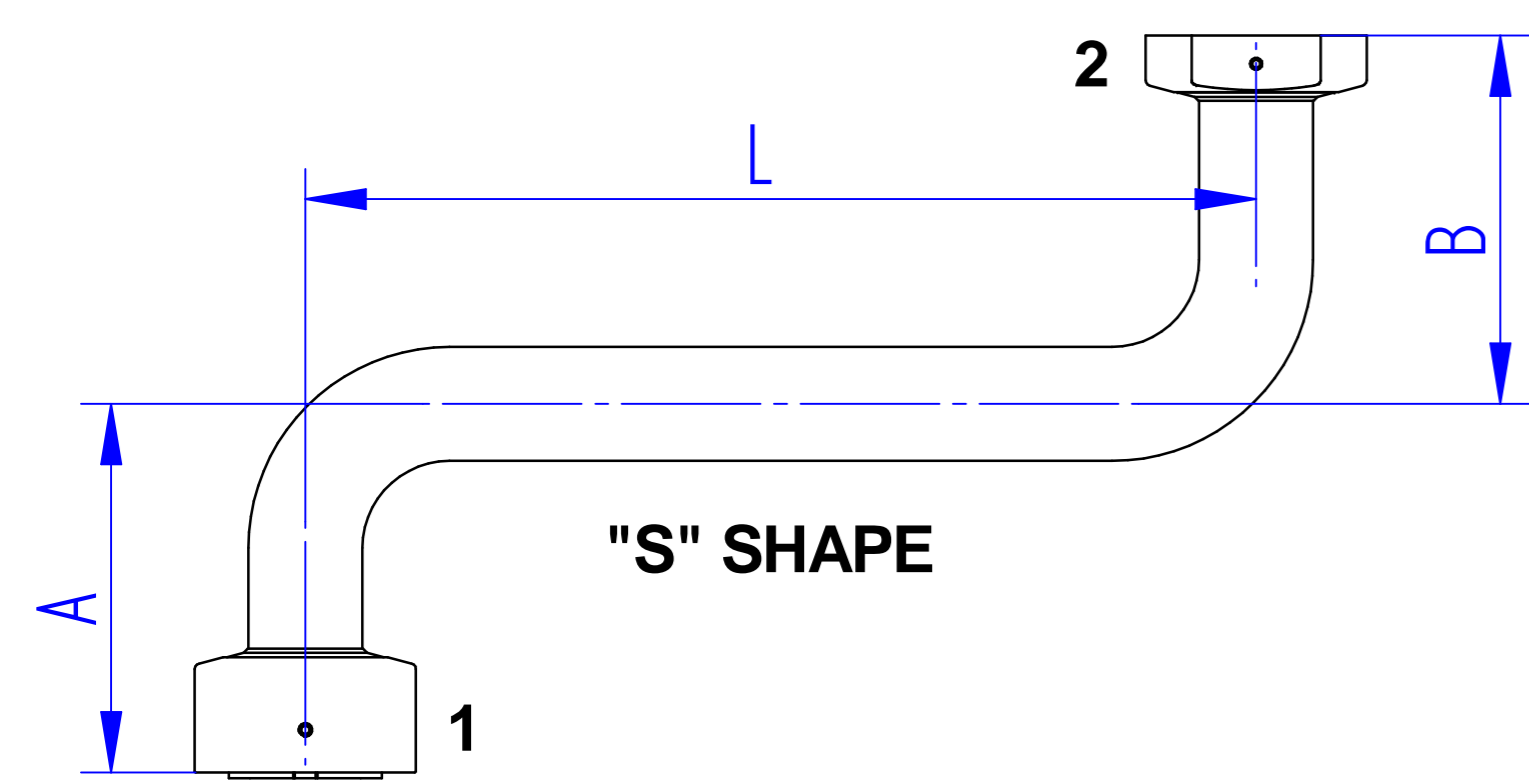
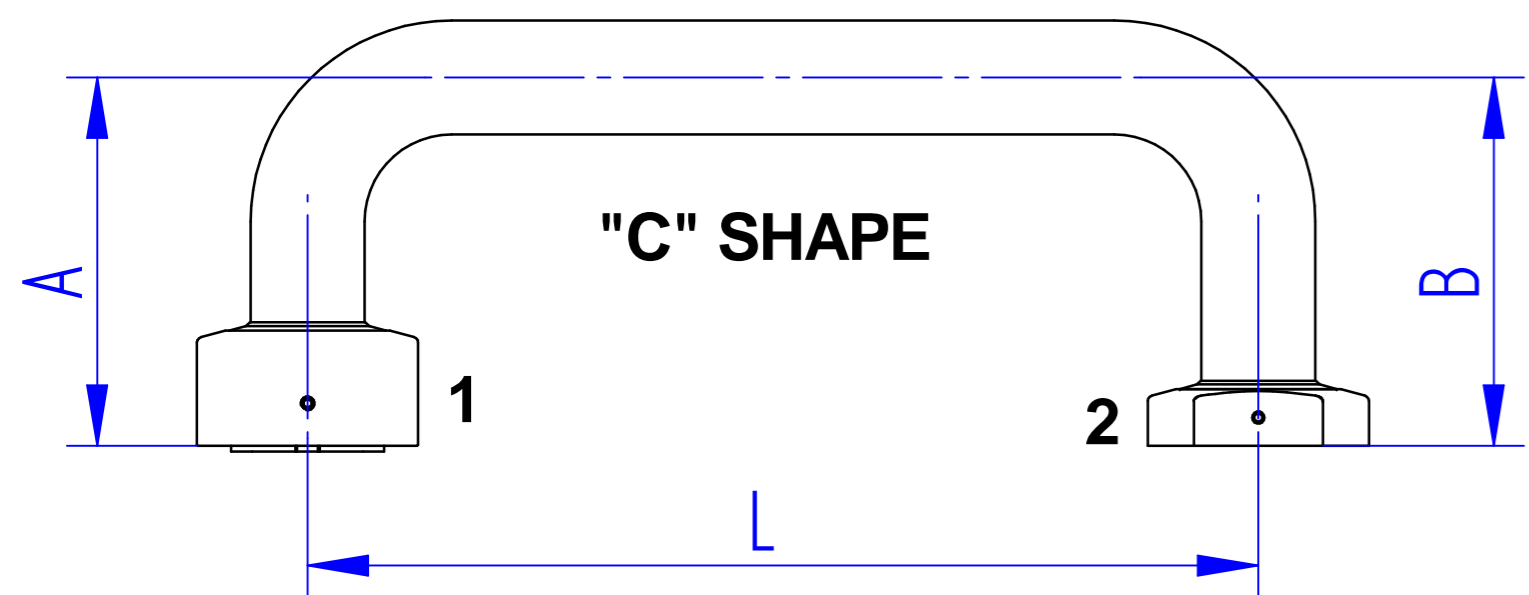


TOLLERANZE IN GRADO MEDIO COME DA NORMA: ISO2768-m



T	ITEM CODE	DESCRIPTION
	4	PIPE DIAMETER Ø 48,3
	6	PIPE DIAMETER Ø 60,3
	C	PIPE SHAPE
	S	PIPE SHAPE
	L	PIPE SHAPE
	I	PIPE SHAPE
	SIDE "A" LENGHT - MIN. 200 x Ø48 - MIN. 250 x Ø60
	SIDE "L" LENGHT - MIN. 400
	SIDE "B" LENGHT - MIN. 200 x Ø48 - MIN. 250 x Ø60
	M	MACHINERY SIDE "1" JOINT TYPE - ROTATING BIG
	F	MACHINERY SIDE "1" JOINT TYPE - FIXED CHAMFERED
	X	NO "SIDE 1" JOINT
	S	KOMMANDER SIDE "2" JOINT TYPE - ROTATING CHAMFERED
	F	KOMMANDER SIDE "2" JOINT TYPE - FIXED CHAMFERED
	X	NO "SIDE 2" JOINT
	H	REINFORCEMENT ON MACHINERY SIDE

EX:	T	4	C	0200	-	0400	-	0200	M	S	H
-----	---	---	---	------	---	------	---	------	---	---	---