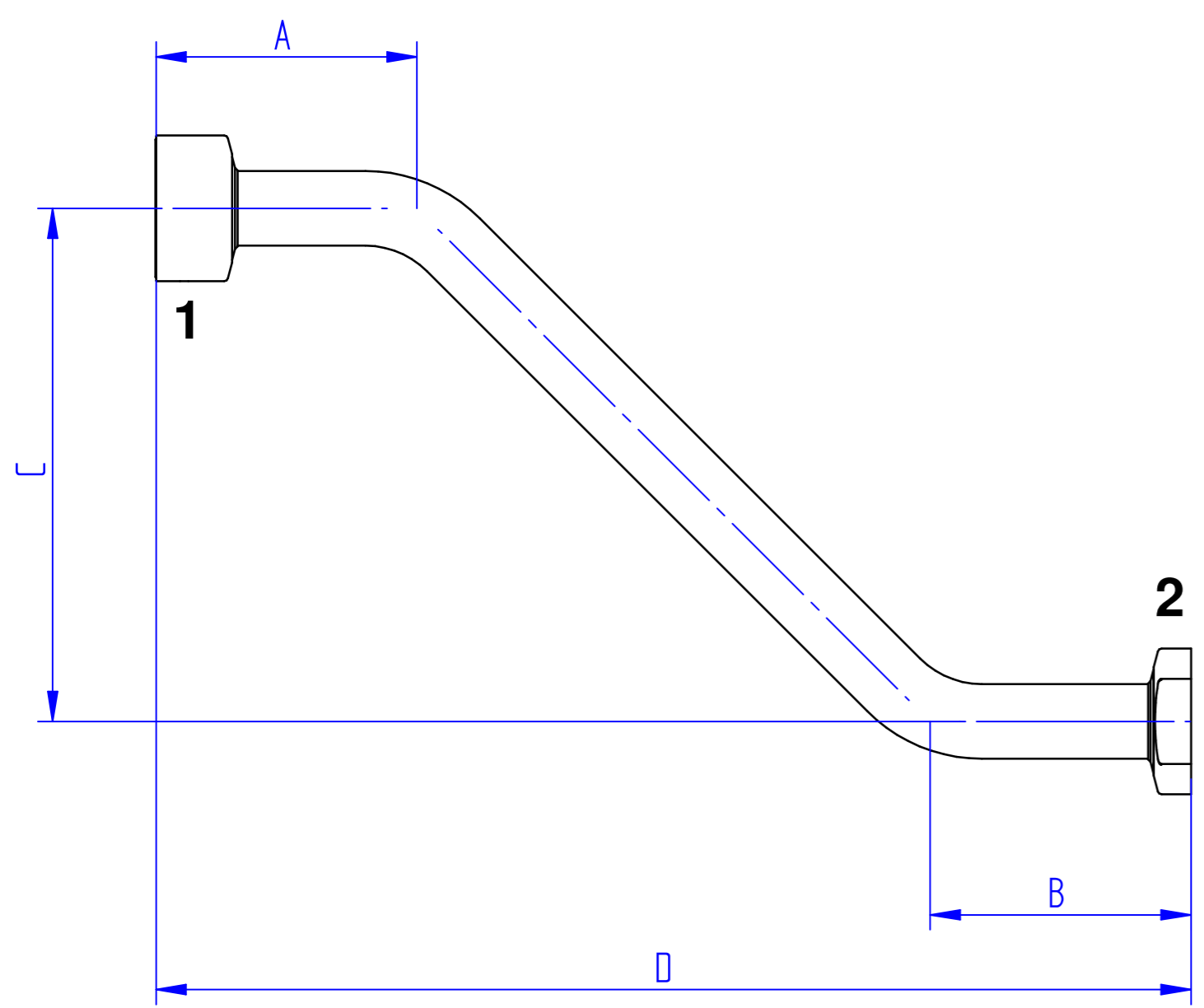
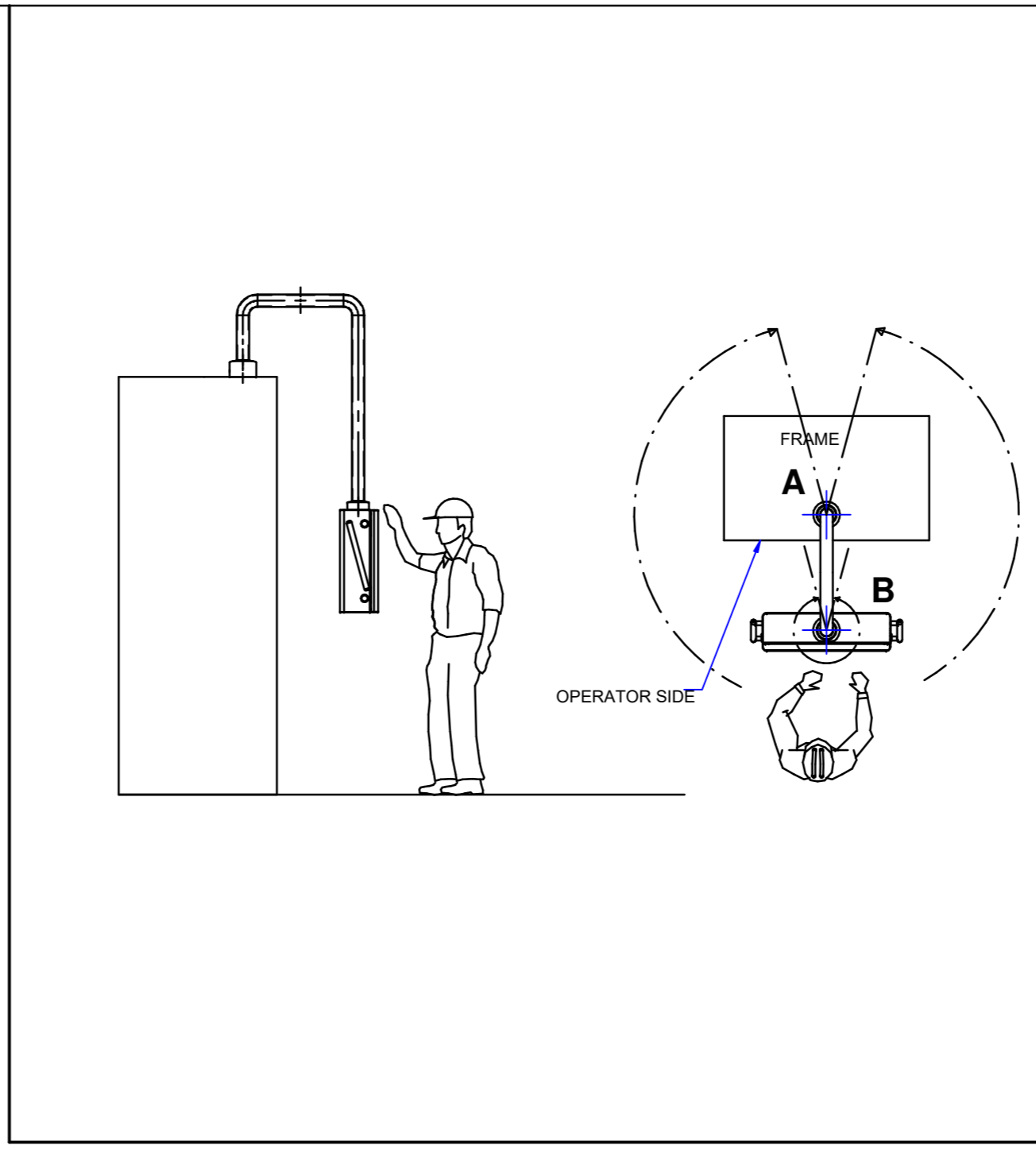


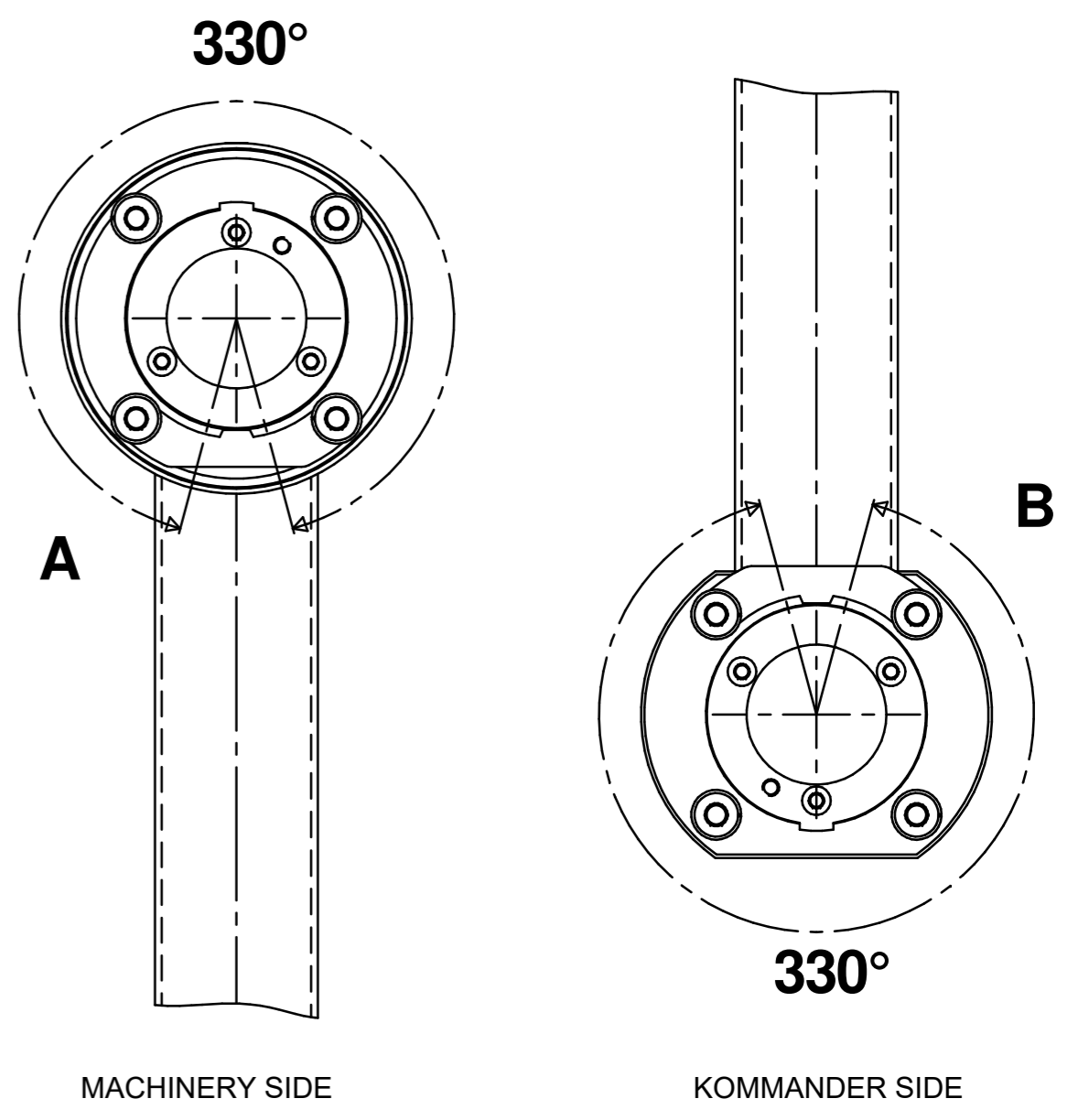
TOLLERANZE IN GRADO MEDIO COME DA NORMA: ISO2768-m



Z-SHAPED



LOWER VIEW



| Z | ITEM CODE |
|---|---|
| | 4 PIPE DIAMETER Ø 48,3 |
| | 6 PIPE DIAMETER Ø 60,3 |
| | A SIDE LENGTH - MIN. 200 x Ø48 - MIN. 250 x Ø60 |
| | M MACHINE SIDE 1 JOINT TYPE - ROTATING, LARGE |
| | F MACHINE SIDE 1 JOINT TYPE - FIXED, BEVELLED |
| | X WITHOUT JOINT ON SIDE 1 |
| | B SIDE LENGTH - MIN. 200 x Ø48 - MIN. 250 x Ø60 |
| | S PENDANT CONTROL PANEL SIDE 2 JOINT TYPE - ROTATING, BEVELLED |
| | F PENDANT CONTROL PANEL SIDE 2 JOINT TYPE - FIXED, BEVELLED |
| | X WITHOUT JOINT ON SIDE 2 |
| | C SIDE LENGTH - MIN. 400 |
| | D SIDE LENGTH - MIN. 400 x Ø48 - MIN. 500 x Ø60 |

| | | | | | | | |
|-----|---|---|-----|---|-----|---|-------------|
| EX: | Z | 4 | 250 | M | 300 | S | 0400 - 0800 |
|-----|---|---|-----|---|-----|---|-------------|

| | | | | |
|--|--|---|---|--|
| Description | | KOMMANDER SUPPORTING SUSPENSION ARMS Z - SHAPED | | |
| Scheda tecnica COD. SCTEC.BRCZ.IT | | Rev. 00 | Data 20/10/2020 FOGLIO 1 DI 1 | |