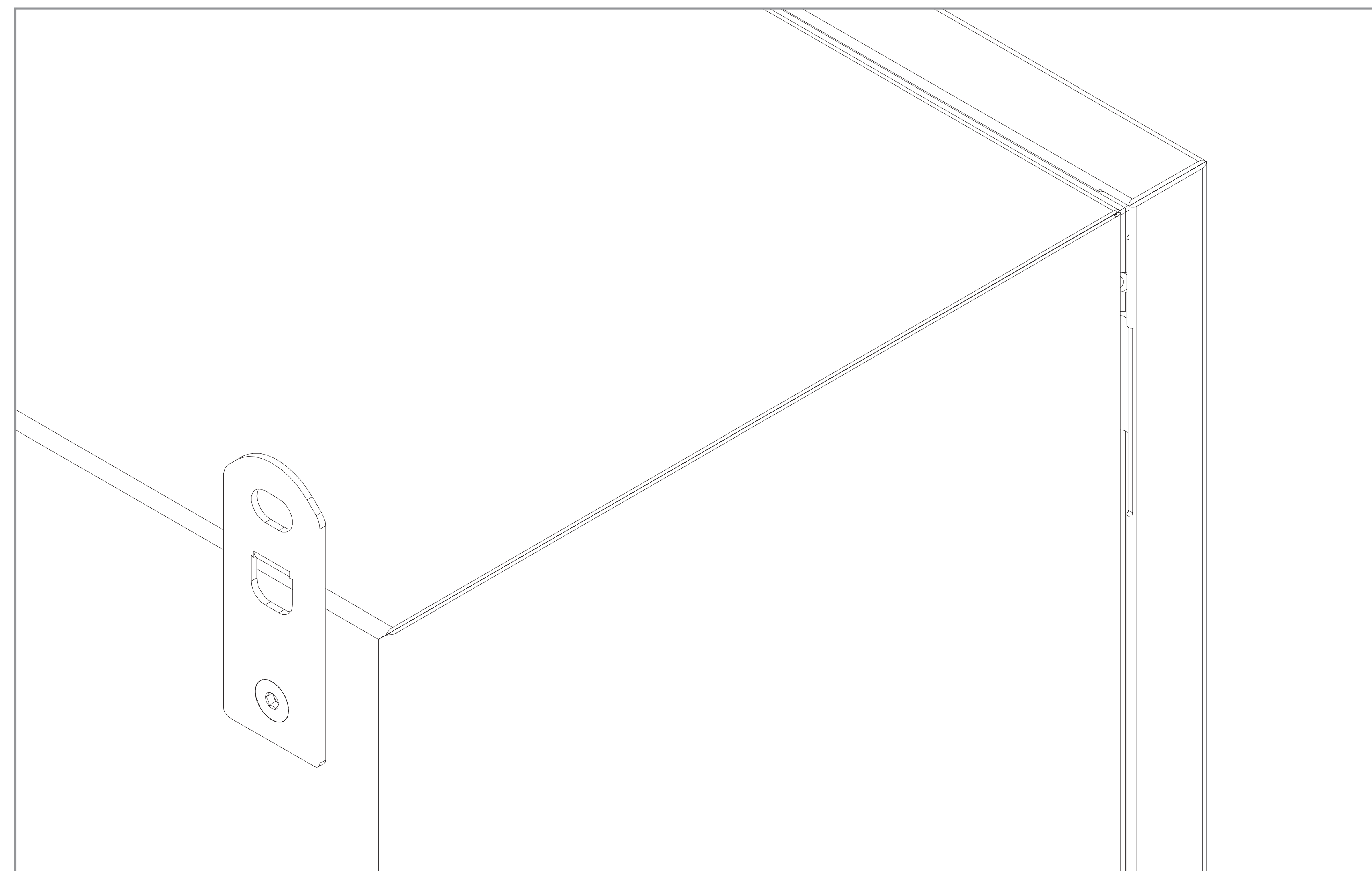
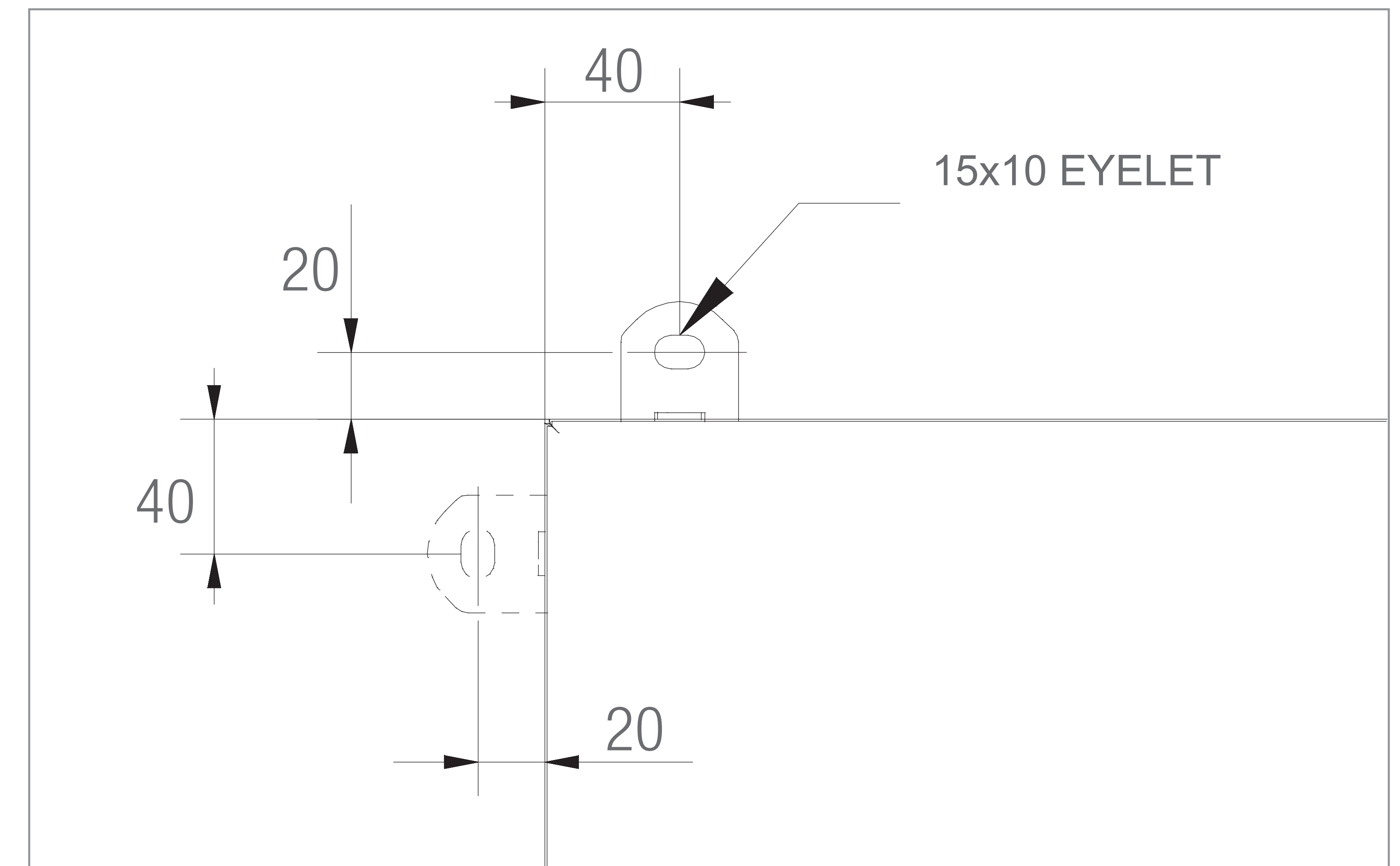


BOX REAR DETAIL WITH HORIZONTAL BRACKET



BOX REAR DETAIL WITH VERTICAL BRACKET



CODE	DESCRIPTION
CACP013	4 FLAT BRACKETS AND STAINLESS STEEL SCREWS

WALL MOUNTING KIT FOR BOXES		 MPGAMMA <small>VALORE INDEBOLIBILE</small>
		